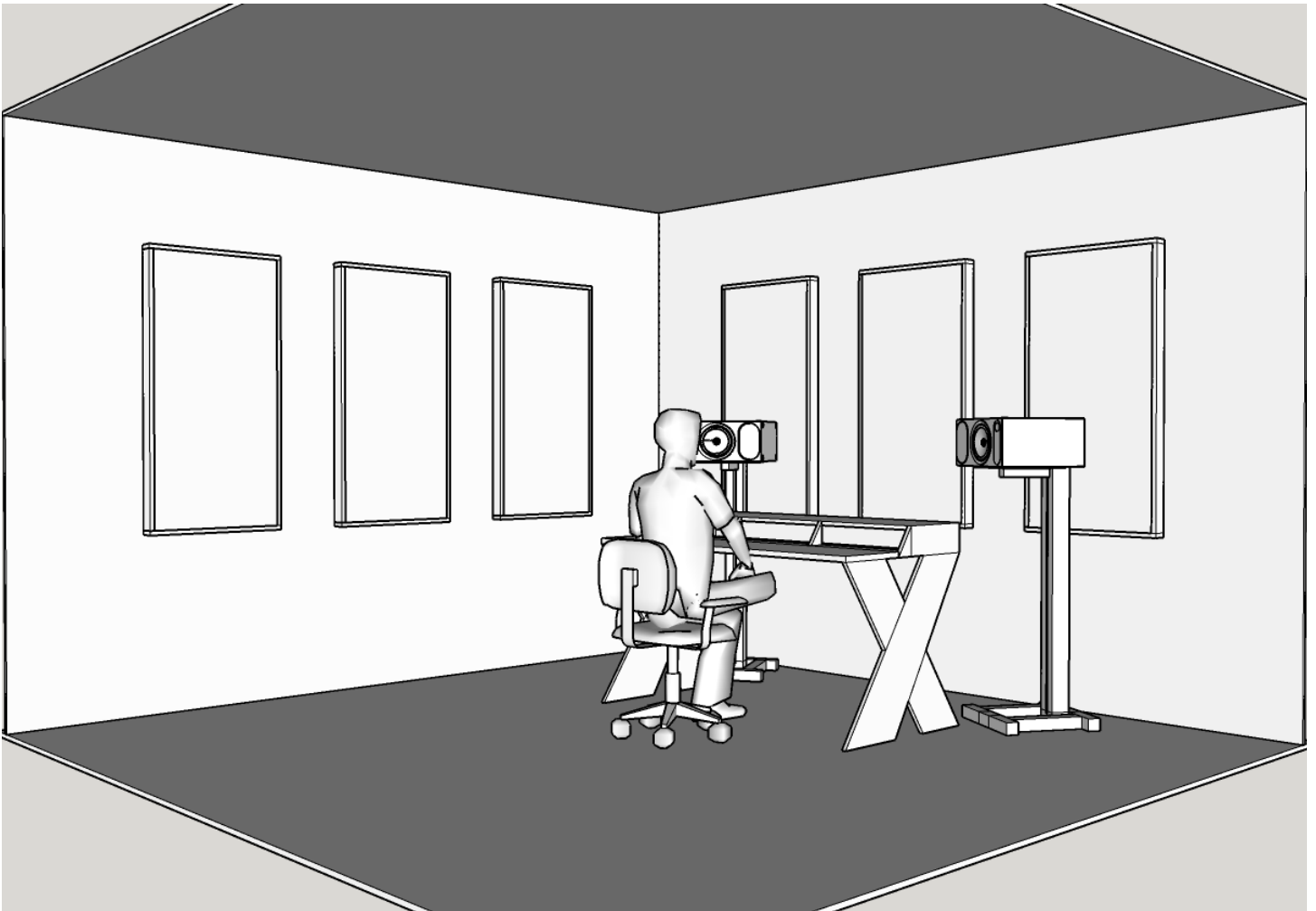
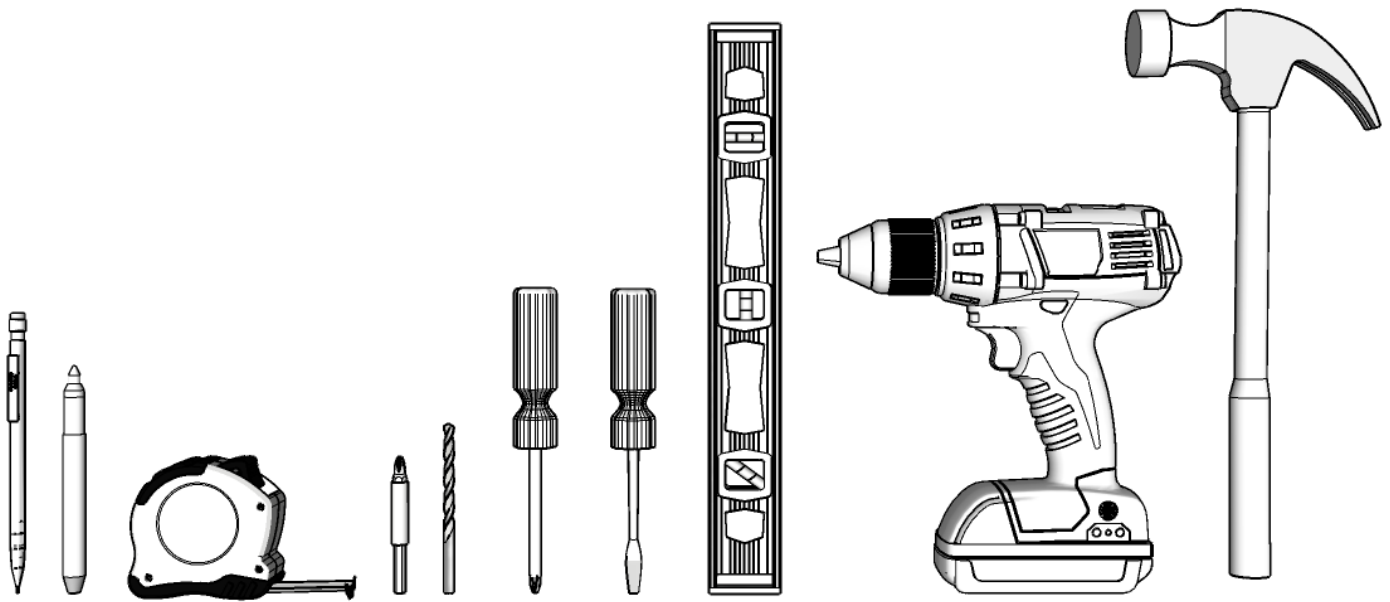


acoustic panel installation

wall mounted with french cleats

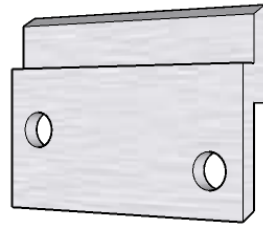
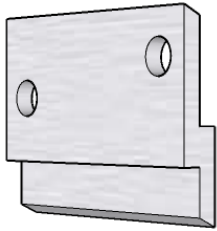


required tools

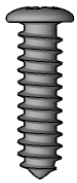


1. pencil
2. marker
3. tape measure
4. level
5. #2 phillips head bit for drill
6. 7/32" drill bit
7. phillips head screwdriver
8. flat head screwdriver
9. drill
10. hammer

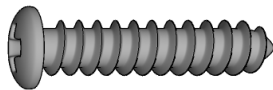
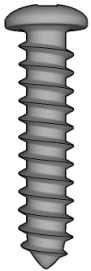
hardware (per panel)



french cleats 2x



1" screws 2x



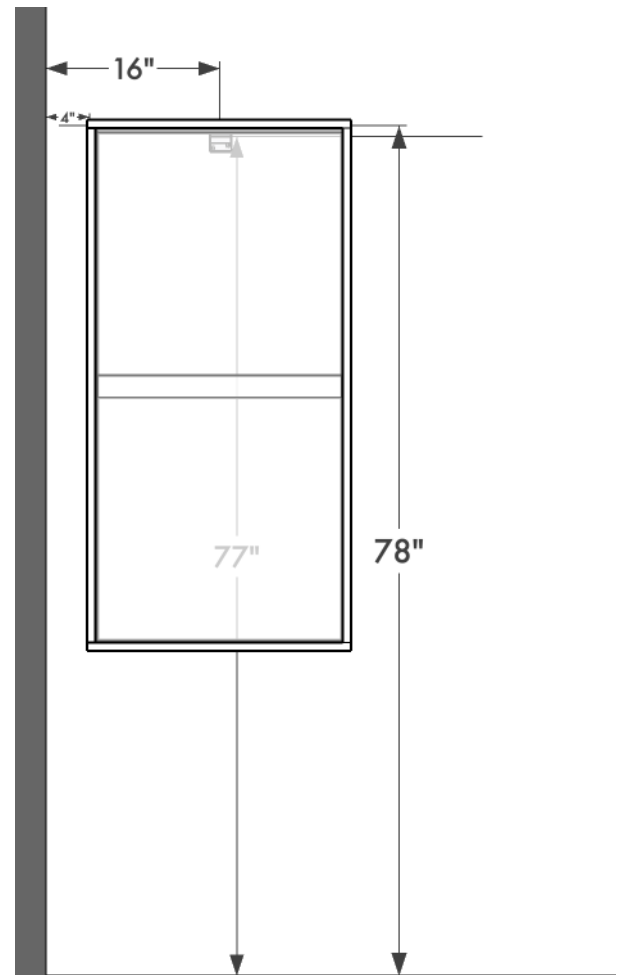
#8 1 1/4" screws 2x



#8 drywall anchors 2x

step 1 – panel placement

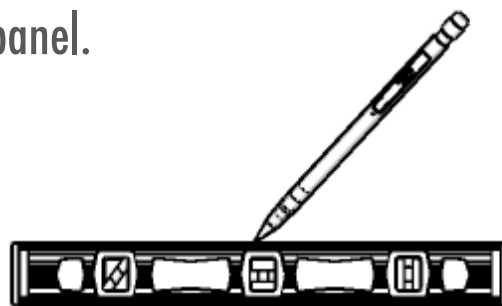
- A. layout where your panels will go on the wall
- B. identify the center point of the panel, this is where the hardware will go
- C. when installing multiple panels, we recommend sketching this out on paper



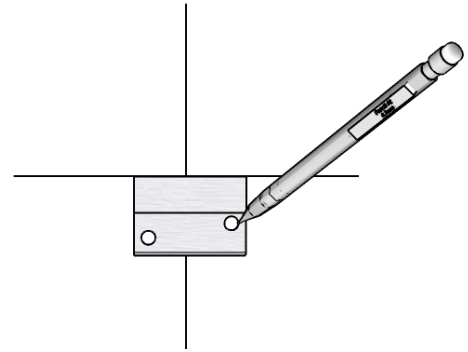
*measurements will be unique to your room

step 2 – mark the wall

- D. using a pencil and level, mark a line showing where the top of the cleat will be. The top of the cleat will be 1" lower than the top of the panel.

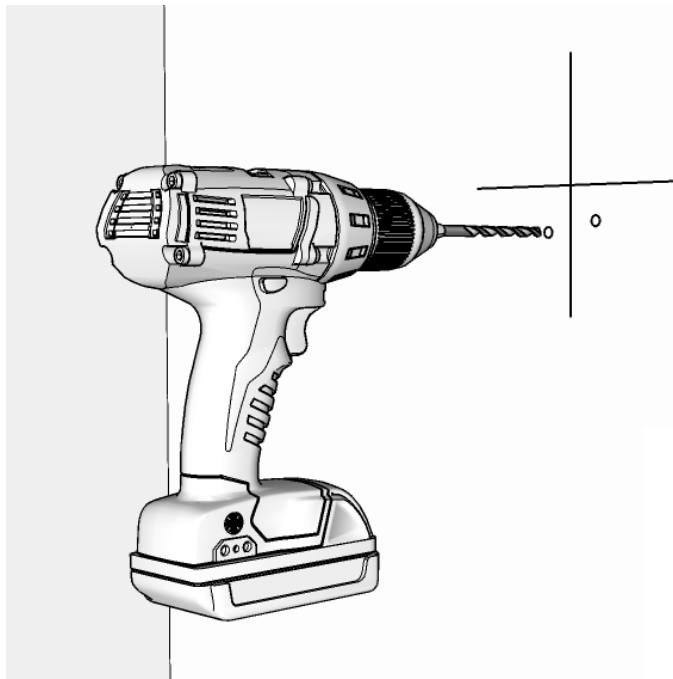


E. mark a vertical line, indicating the center of the cleat (this is also the center of the panel)

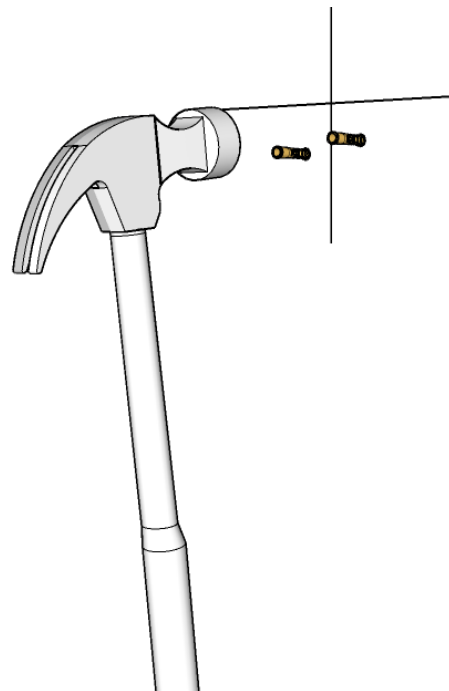


F. Trace holes onto wall to indicate drywall anchor placement

step 3 – drywall anchors

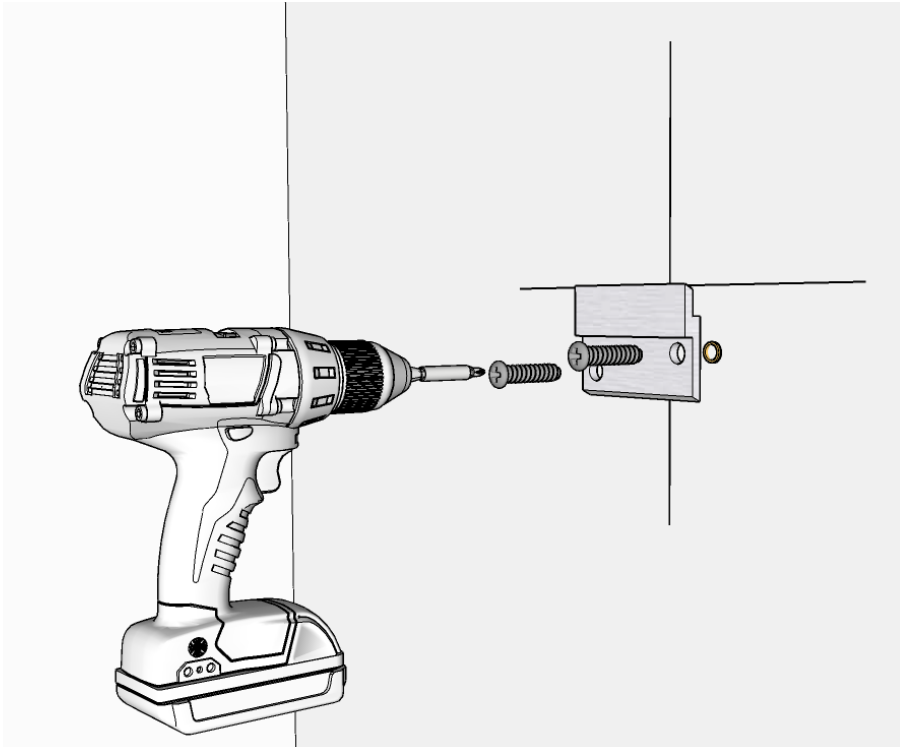


G. pre-drill holes for drywall anchors



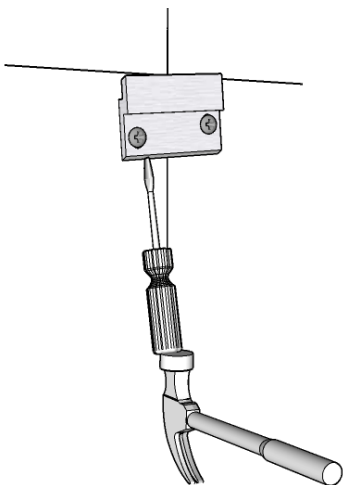
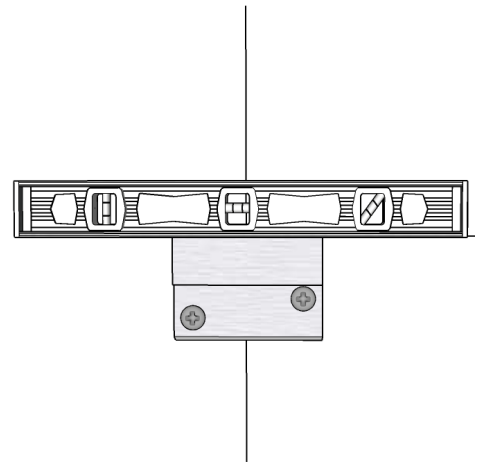
H. push in drywall anchors (use hammer if needed)

step 4 – secure french cleat to the wall



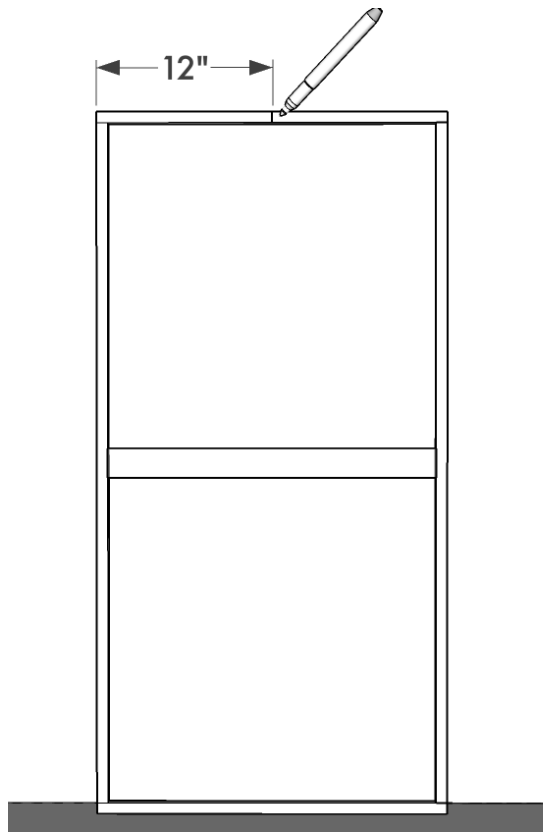
I. using #8 screws,
secure french cleat to the
wall

J. Using a level, check to see if the cleat
installed level



K. if adjustments are needed,
use a flat head screwdriver
and hammer to gently adjust
the cleat

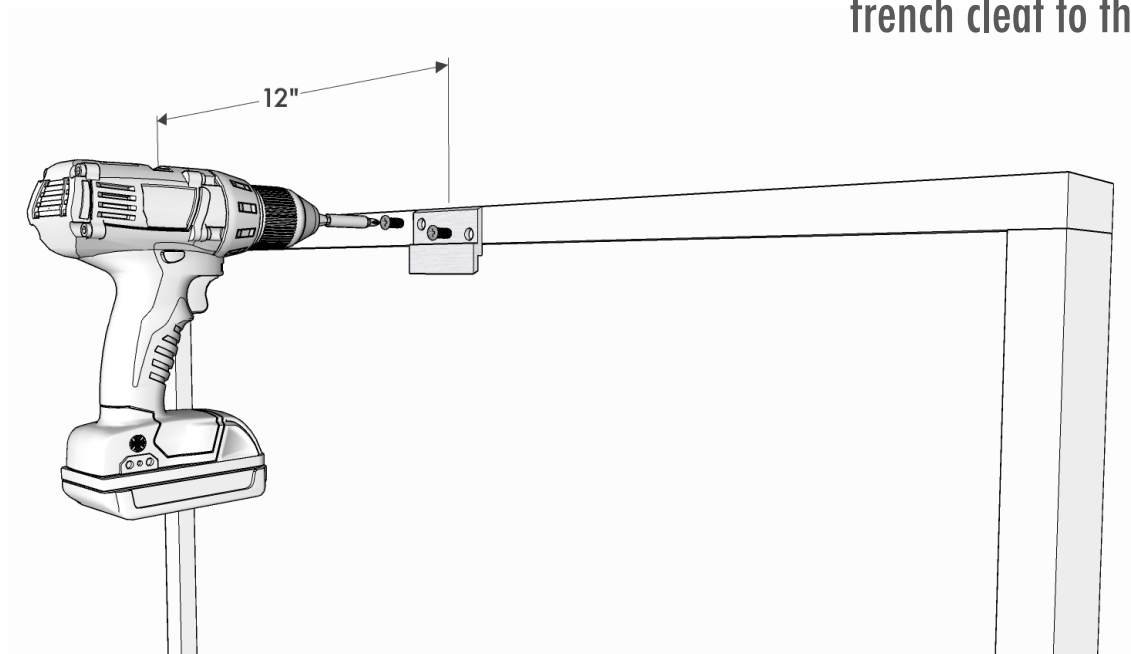
step 5 – secure french cleat to the acoustic panel



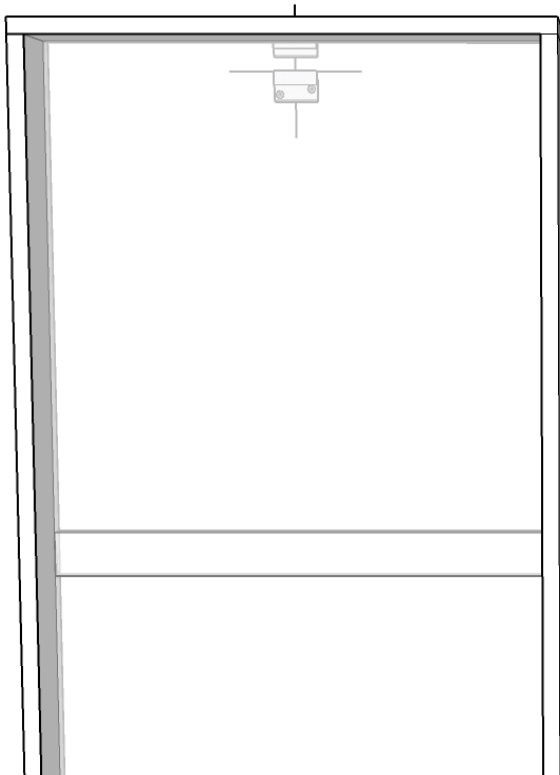
L. on the back of the panel find the center point and mark it with a marker

M. line up the center of the french cleat with the center mark

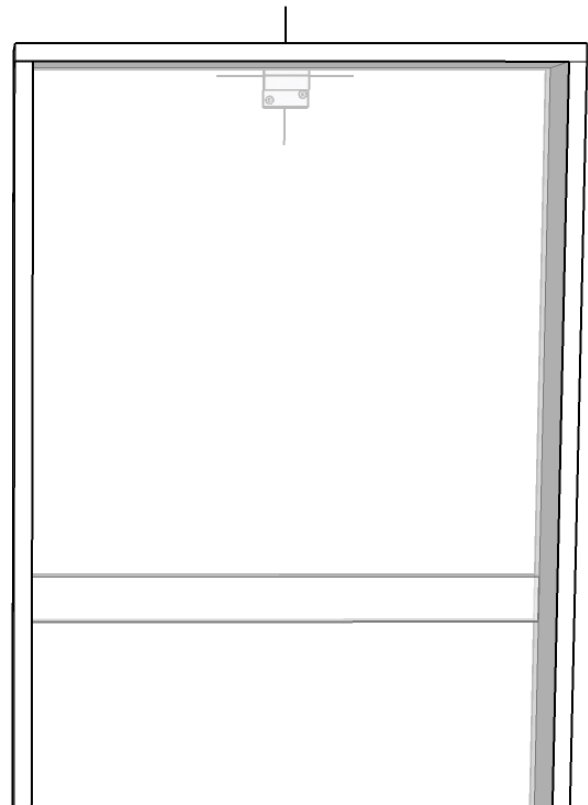
N. using $\frac{1}{2}$ " screws, secure the french cleat to the panel



step 6 – hang the acoustic panel



O. lift the panel just above the cleat on the wall



P. lower the panel down onto the wall mounted cleat

congrats, you did it!

we'd love to see pictures of your newly updated studio. if you
have any photos to share email them to
graham@musiccityacoustics.com