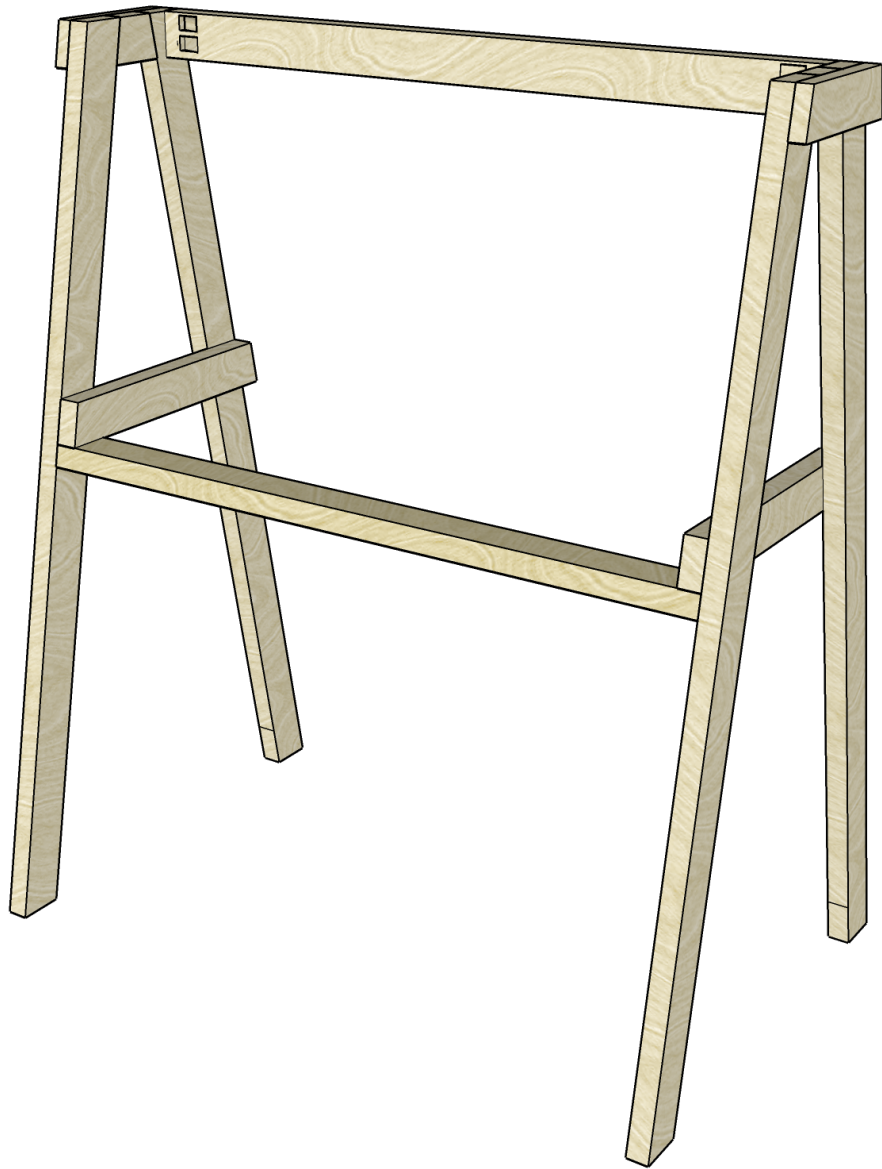
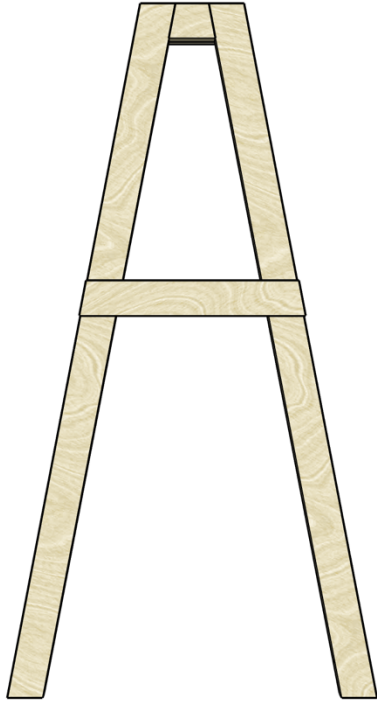


# easel acoustic panel stand

## assembly guide



# components



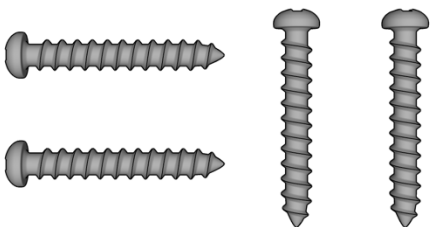
A frame side pieces 2x



back support with pocket holes



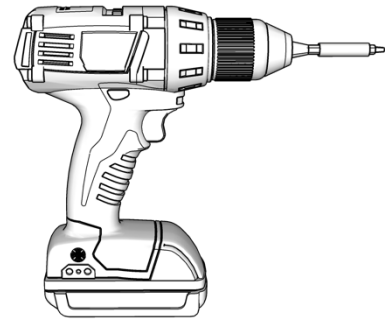
front support



1 1/4" screws x4

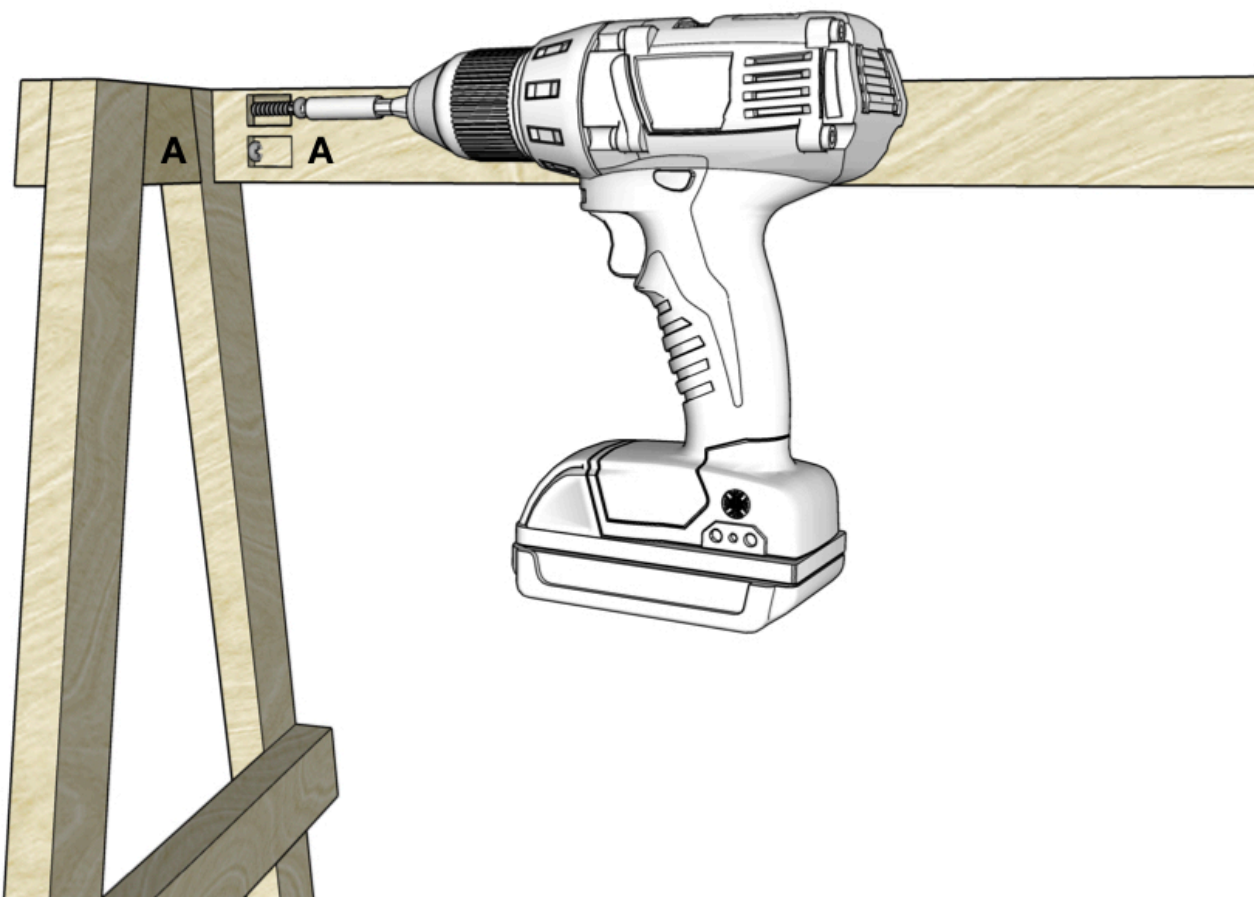
# required tools

1. screwdriver or drill



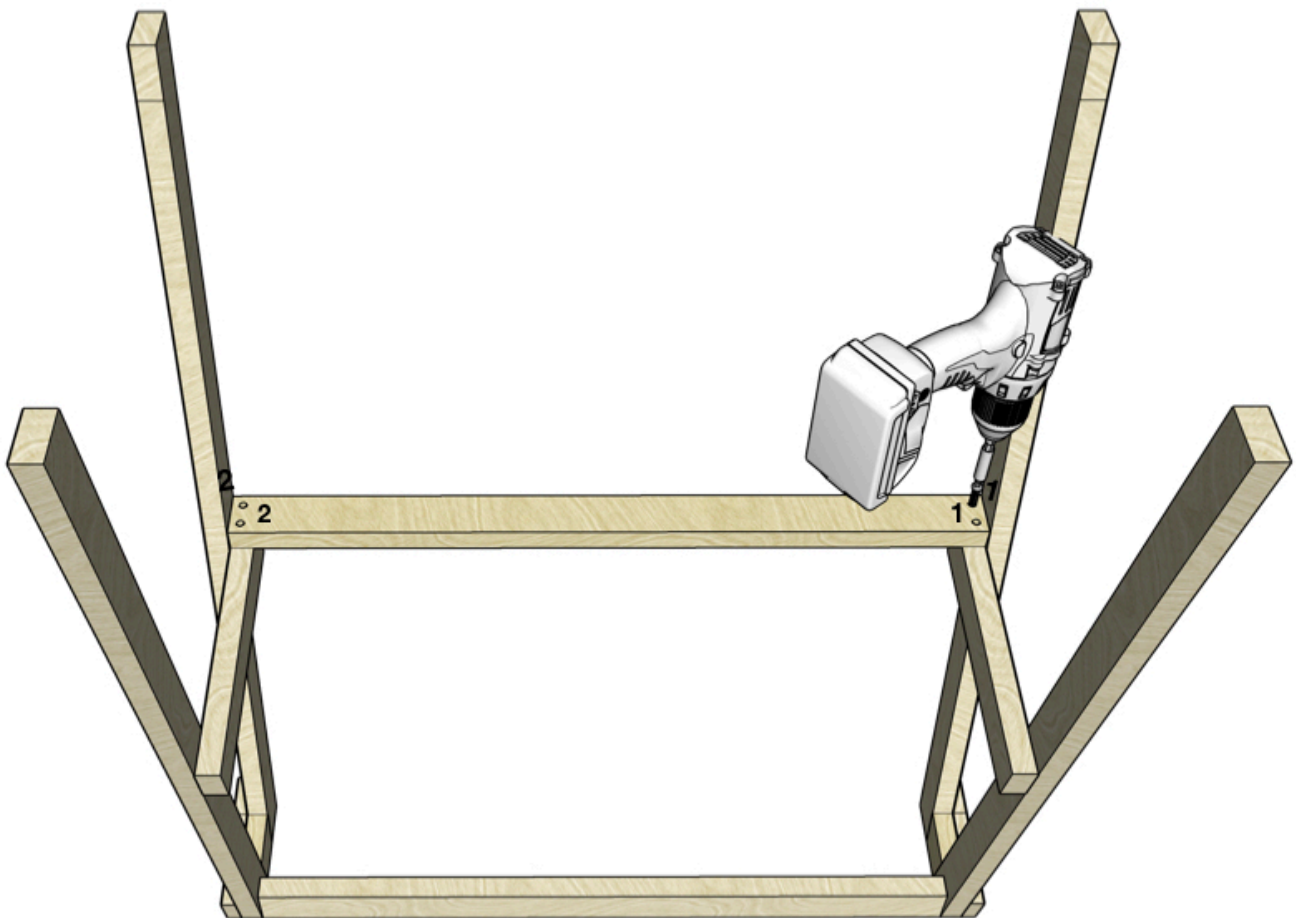
# step 1 – screw the back support piece to A frame sides

- a. all pieces are predrilled and labeled with their corresponding part. match the labels then screw together
- b. repeat for the second A frame side



## step 2 – secure the front support piece to the A frame sides

- a. all pieces are predrilled and labeled with their corresponding part. match the labels then screw together



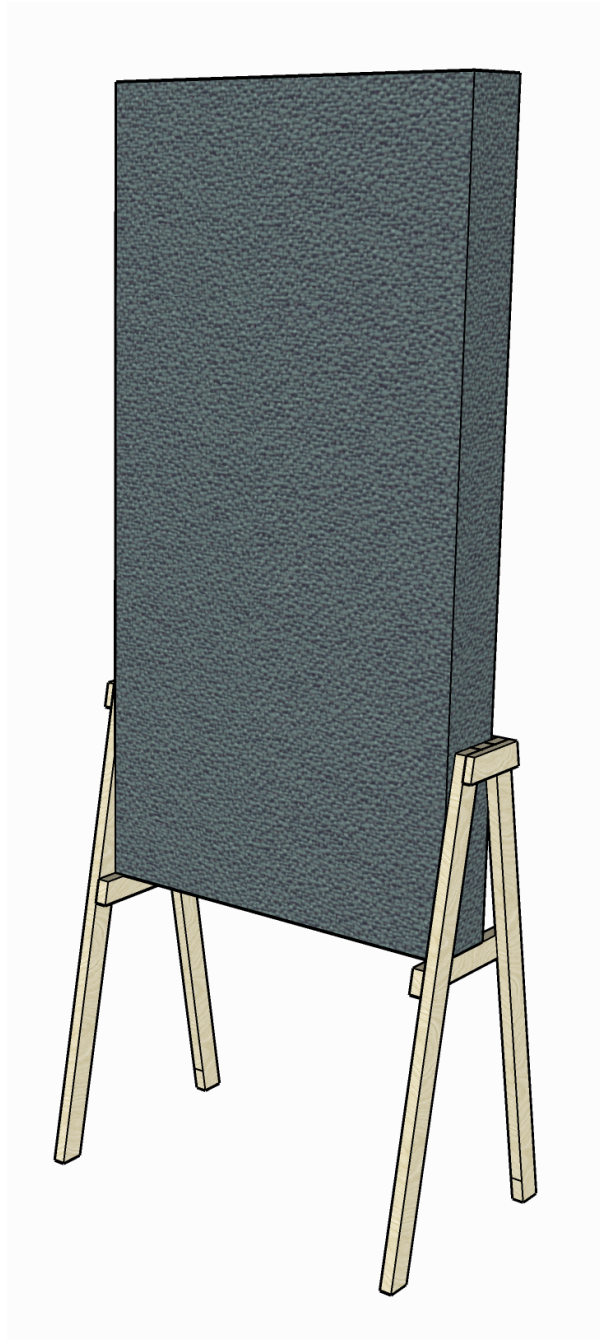
## step 3 – place acoustic panel in the stand

- a. line the back of the panel corners of the panel up with easel acoustic panel stand



- b. gently push the panel down into the stand until it is resting on the cross bracing

step 4 – place your easel stand in its new home



# congrats, you did it!

we'd love to see pictures of your newly updated studio. if you  
have any photos to share email them to  
[graham@musiccityacoustics.com](mailto:graham@musiccityacoustics.com)