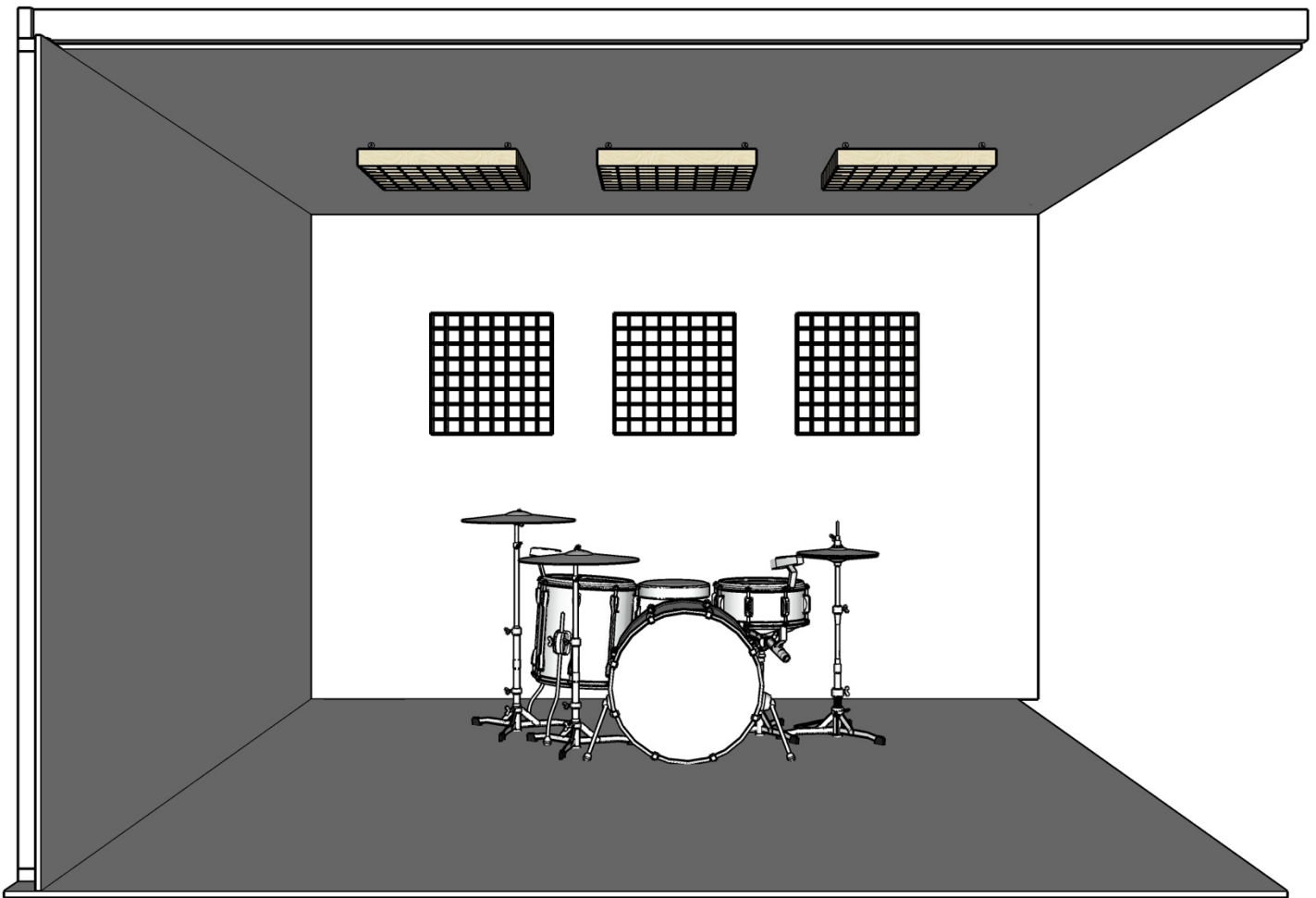
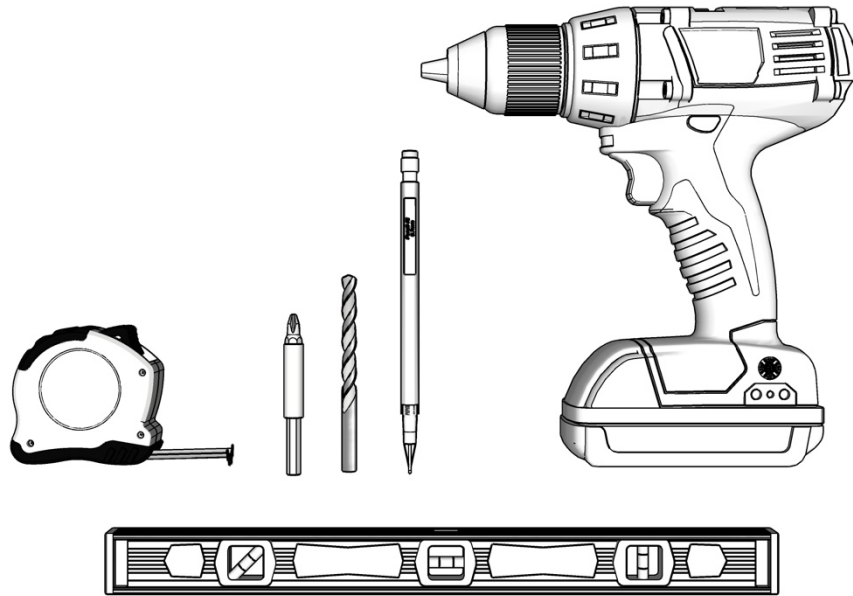


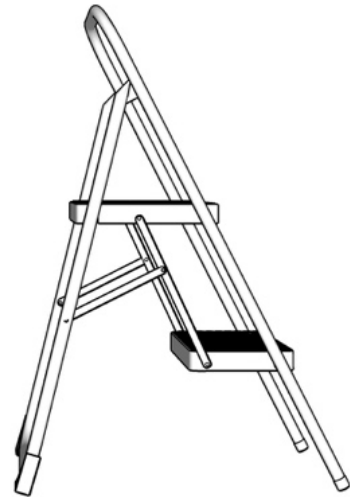
space coupling diffuser installation guide



required tools

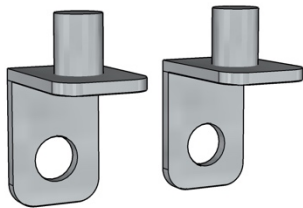


1. SCD install template (for ceiling installations)
2. tape measure
3. Philips bit
4. 3/16" drill bit
5. pencil
6. drill
7. level
8. tape
9. step stool or ladder
10. a piece of paper

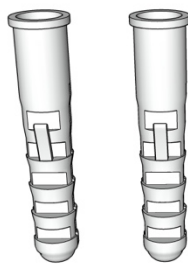


hardware

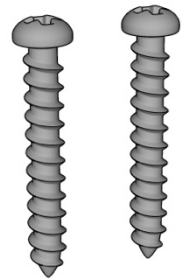
wall install



angled pins x2

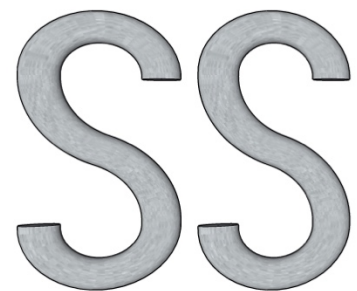
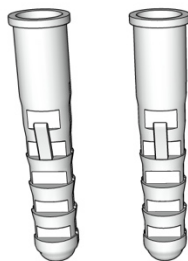
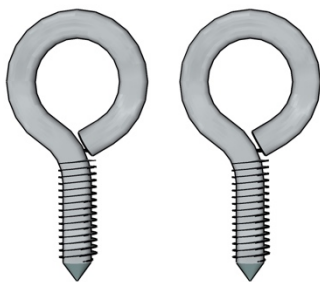


drywall anchors x2



screws x2

ceiling install



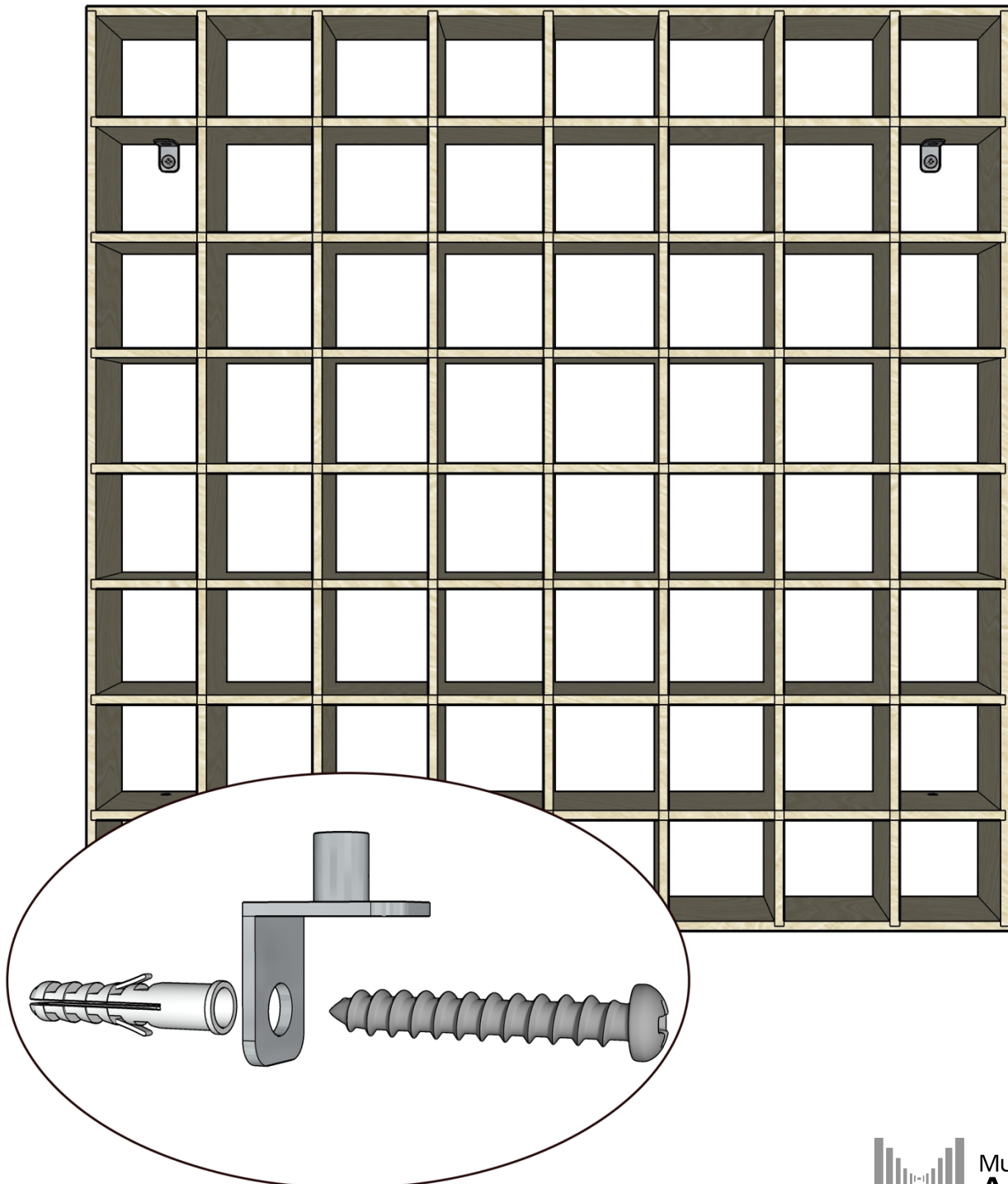
eye screws x4
SCD wall hardware

drywall anchors x4

s hooks x4

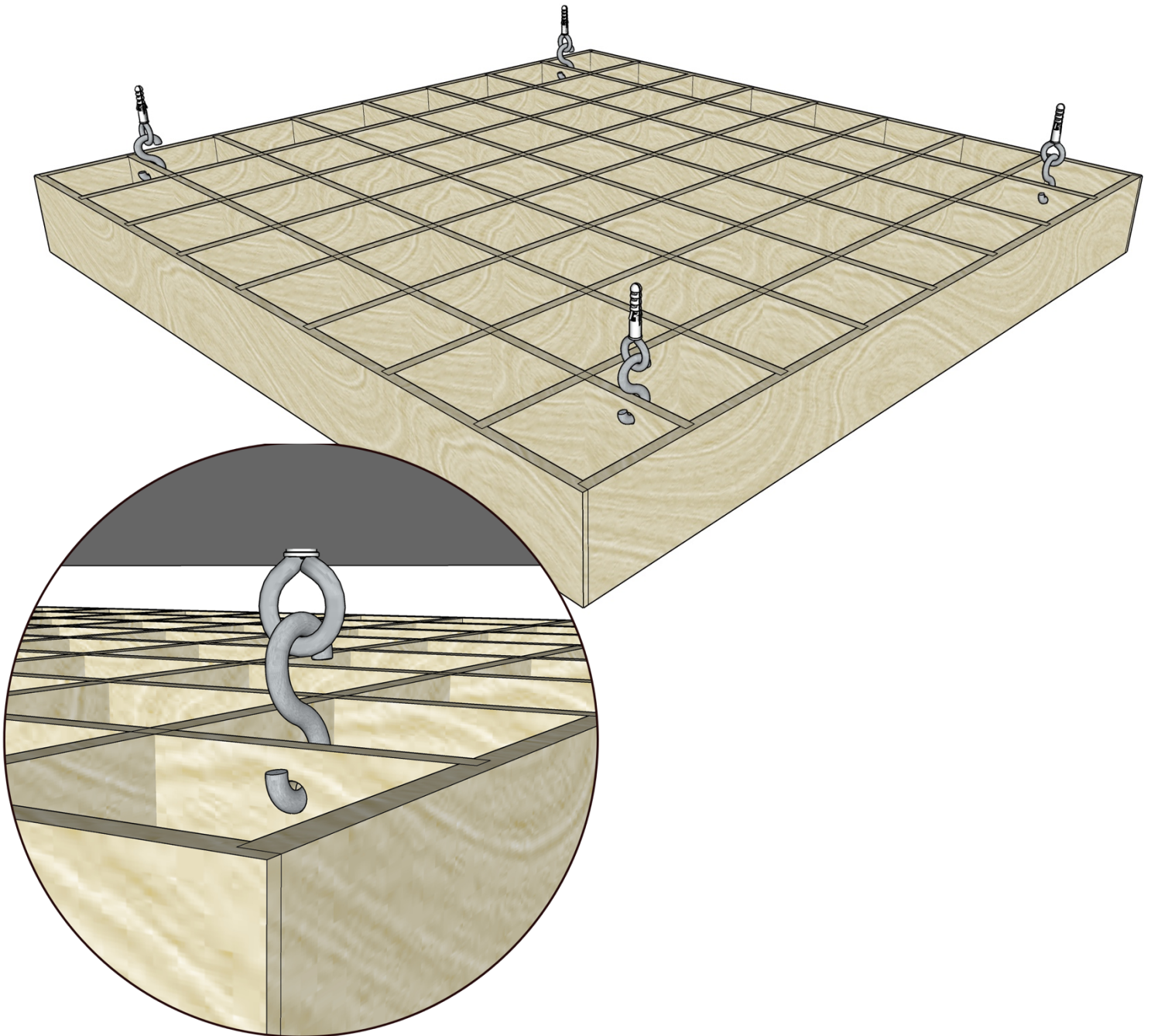
wall hardware completed assembly

your SCD has four pre-drilled holes, you will use two of them for wall installations



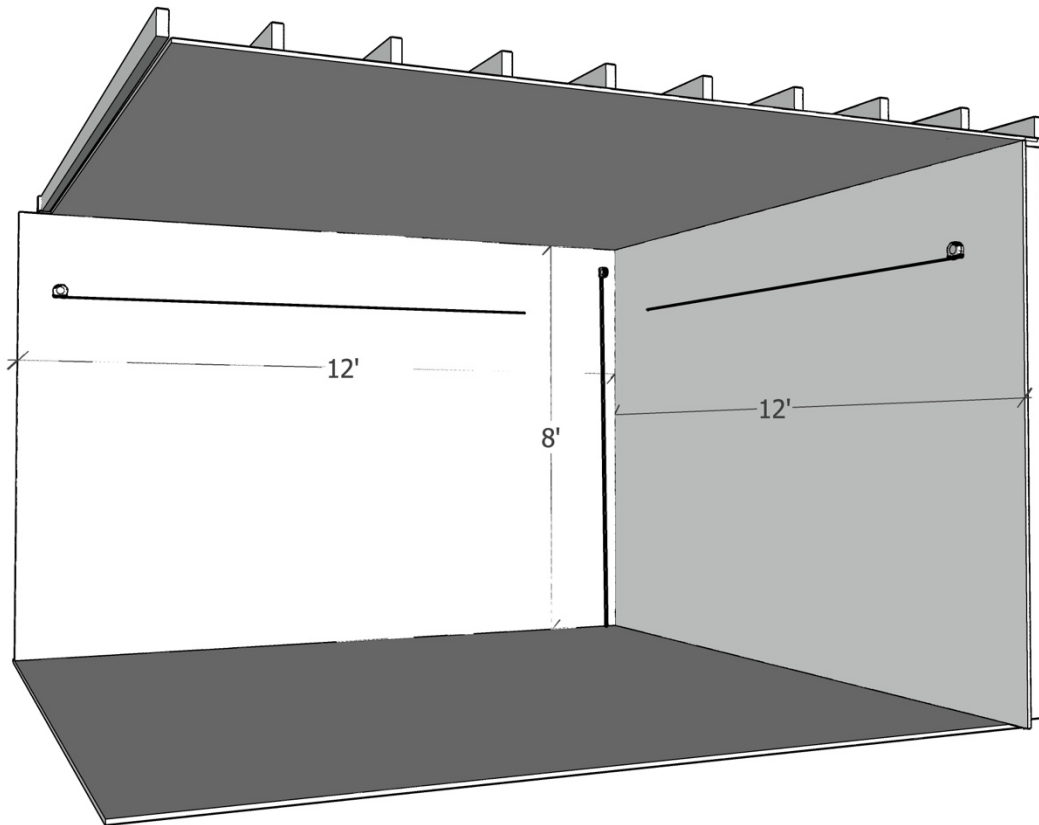
ceiling hardware completed assembly

your SCD has four predrilled holes, you will use all four for ceiling installations



step 1 – measure your room

A. measure the length, width, and height of your room

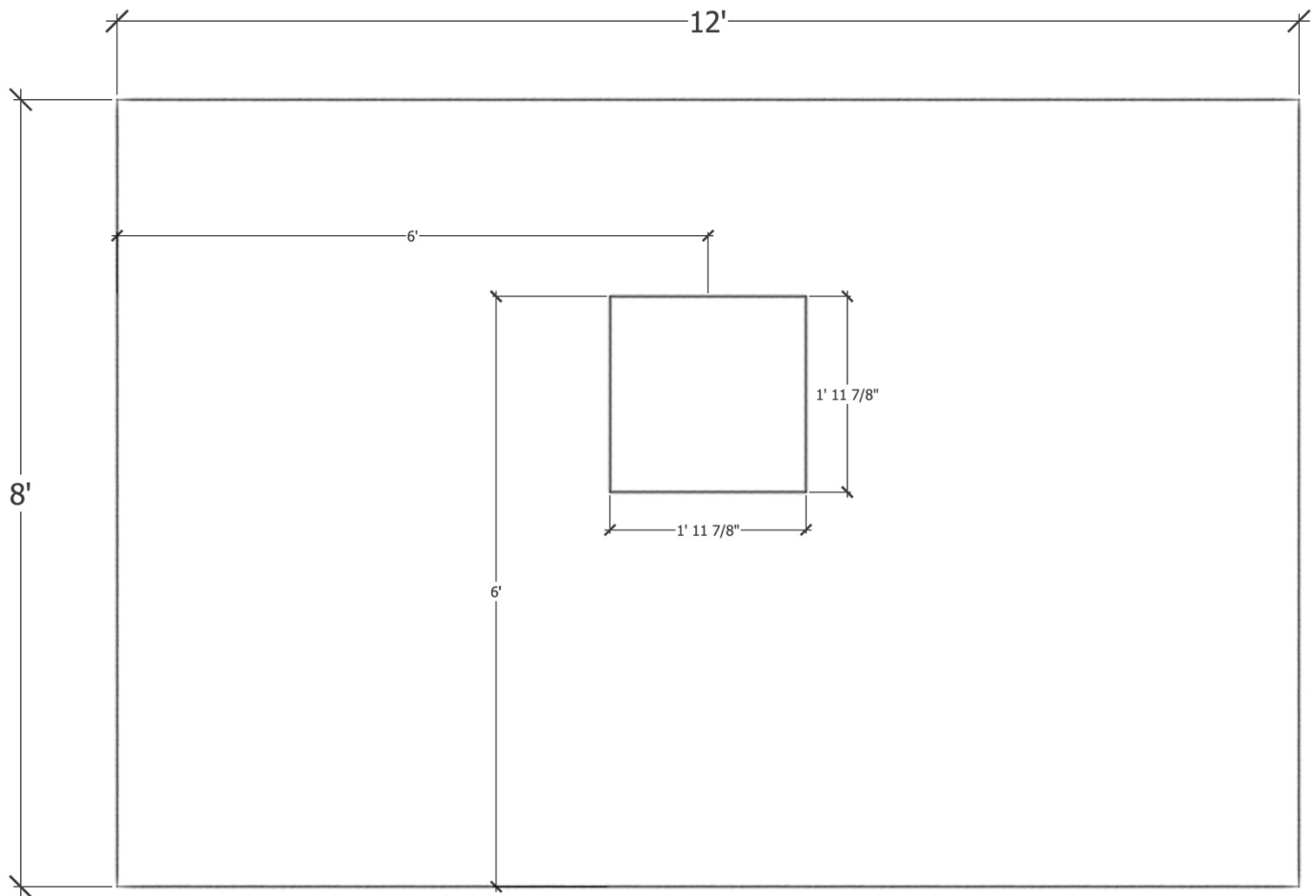


from here on we will split the installation guide into two groups. If you are installing your SCDs on the wall, continue to the next page. If you are installing your SCDs on the ceiling skip ahead to page 12

SCD wall installation

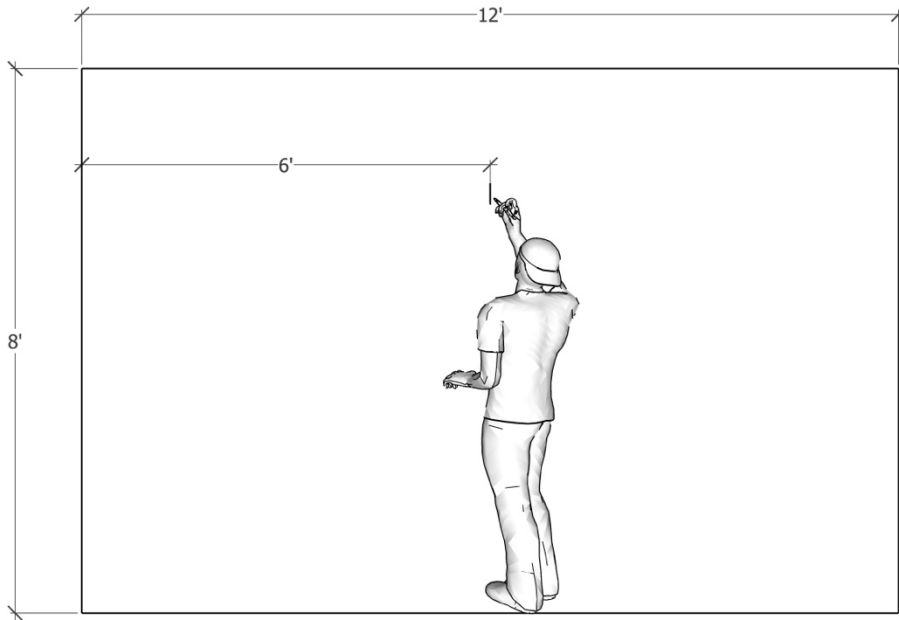
step 2 – plan where your SCD will go

- a. using your measurements from step 1, sketch out your room
- b. draw in the SCD with its height and center location noted



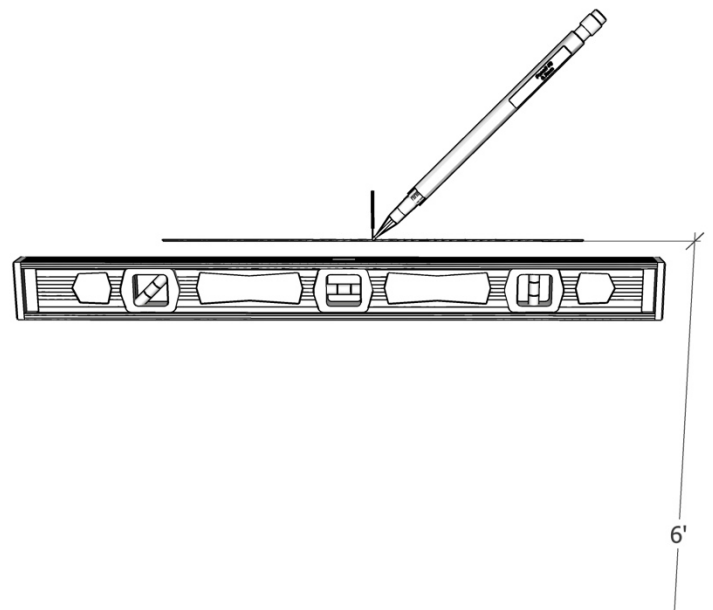
* measurements shown above are just an example. measurements will vary from room to room.

step 3 – mark SCD location on the wall



a. mark where you would like the center location of your SCD to be on the wall

b. using a level, draw a horizontal line, at the height you will install your SCD



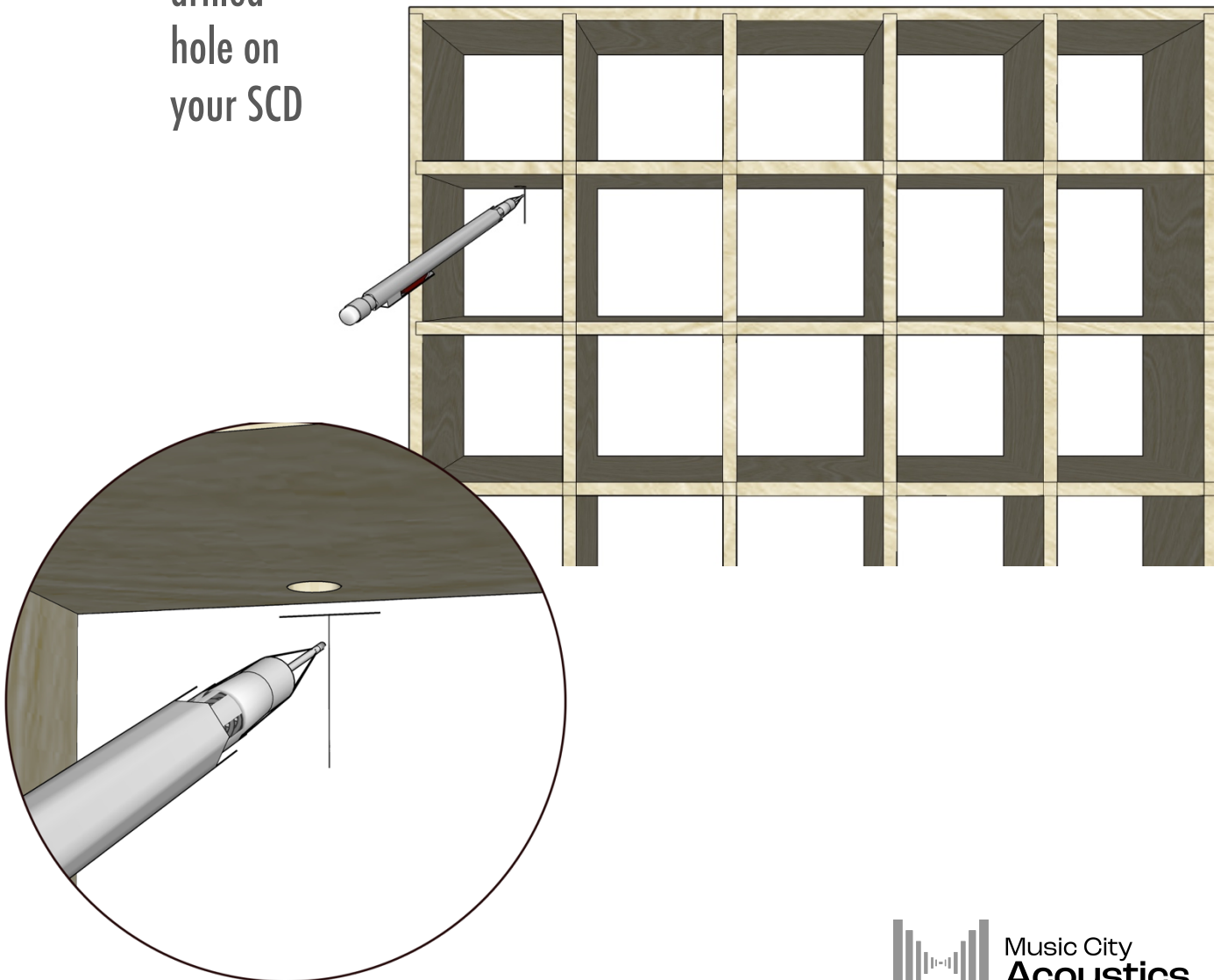
* measurements shown above are just an example. measurements will vary from room to room.

step 4 – mark hardware locations on the wall

a. hold your SCD up against the wall

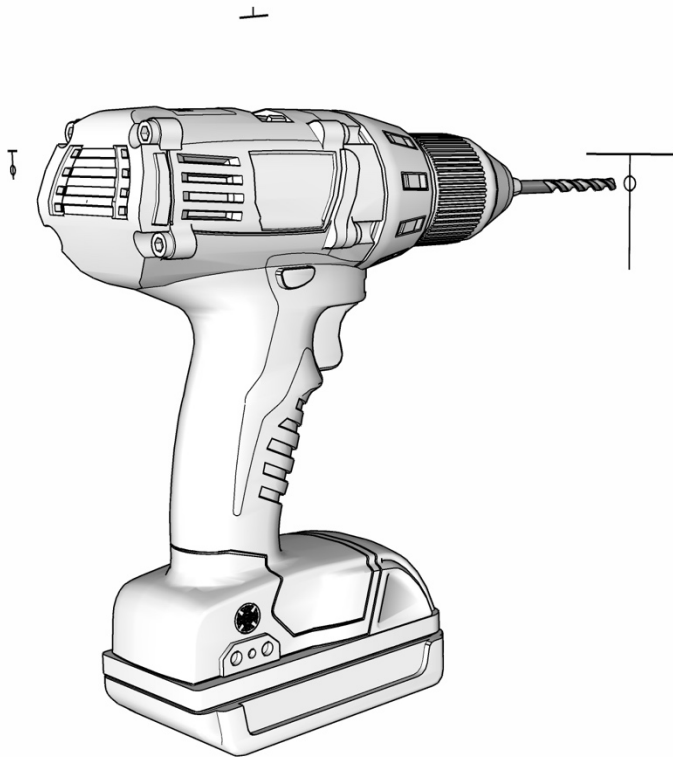
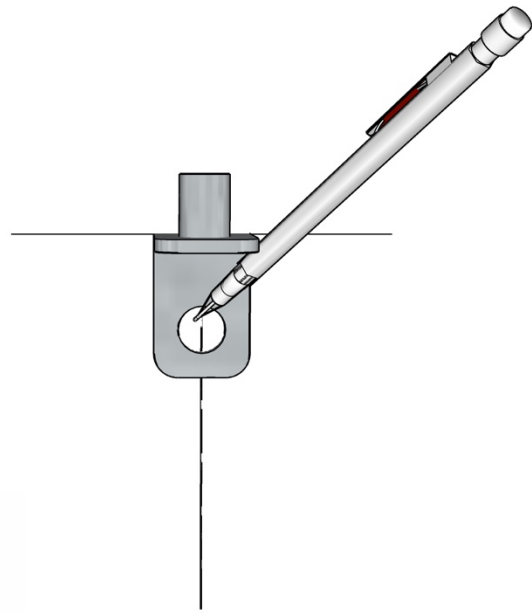
1. the scd should be centered on the center mark made it step 3a
2. the top of the scd should line up with your horizontal line made it step 3b

b. using a pencil, mark a "T" indicating the location of each pre-drilled hole on your SCD



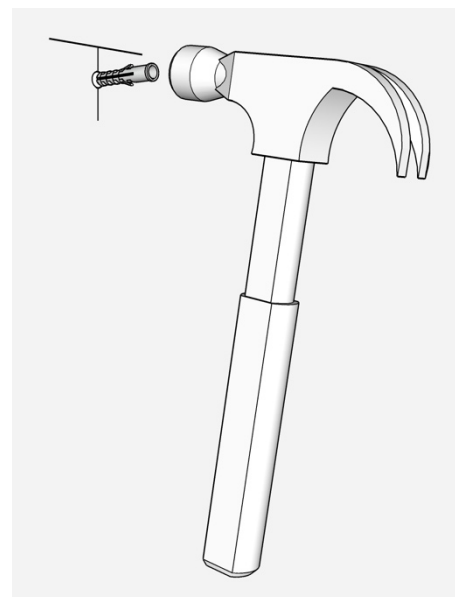
step 5 – wall hardware

- a. line angled pin up with "T" Mark
- b. trace holes onto wall to

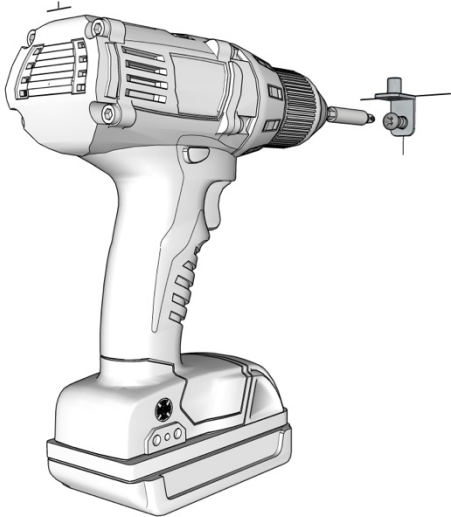


- c. pre-drill holes for drywall anchors

- d. push in drywall anchors (tap with hammer if needed)



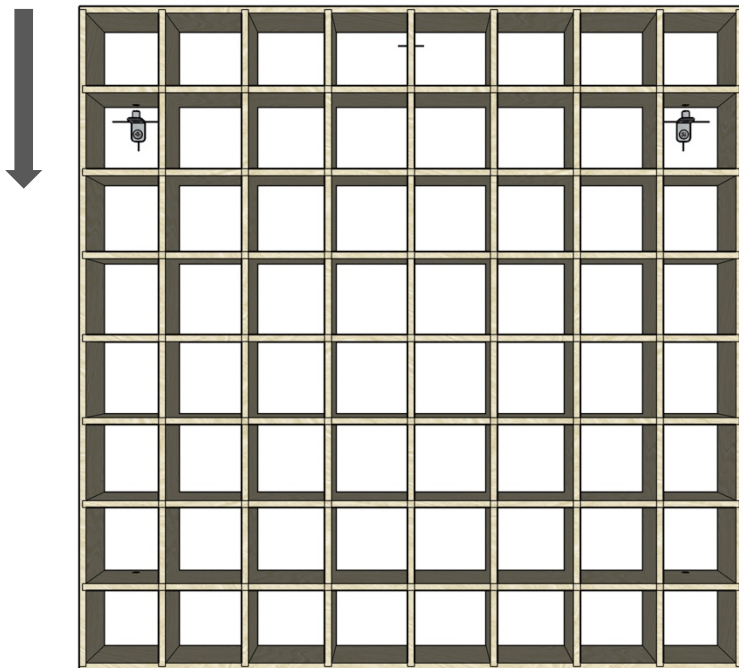
step 6 – secure angled pins to wall



a. using #8 screws, secure angled pin to the wall

*tip - don't fully tighten screws until installing scd

step 7– hang space coupling diffuser



a. hold SCD above pins

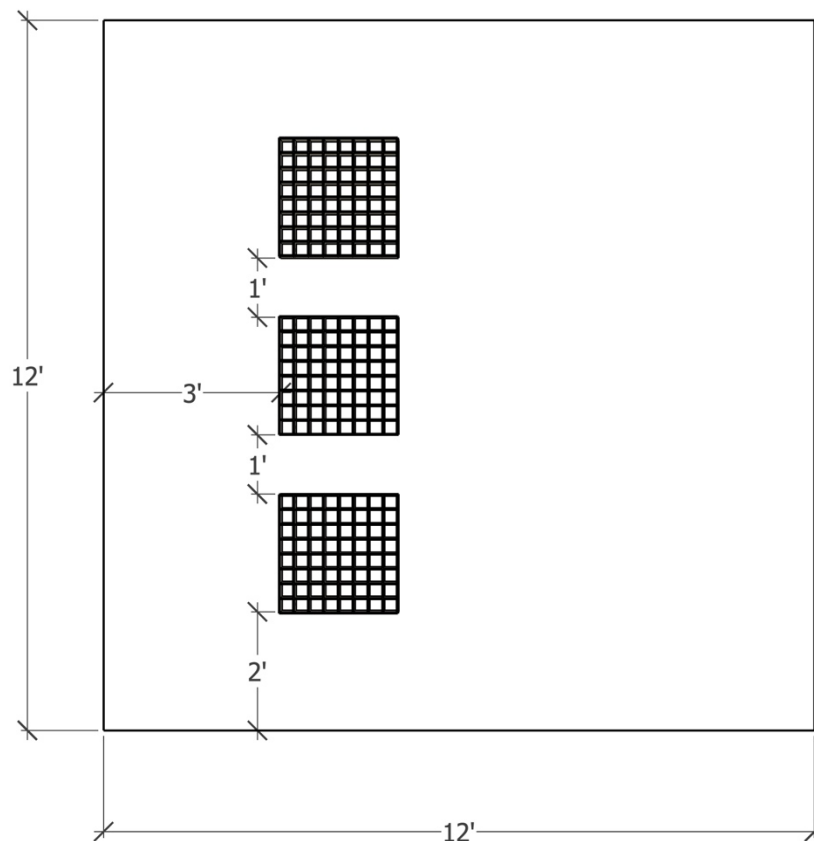
b. secure SCD onto pins

c. tighten screws to lock pins into place

SCD ceiling installation

step 2 – plan where your SCD will go

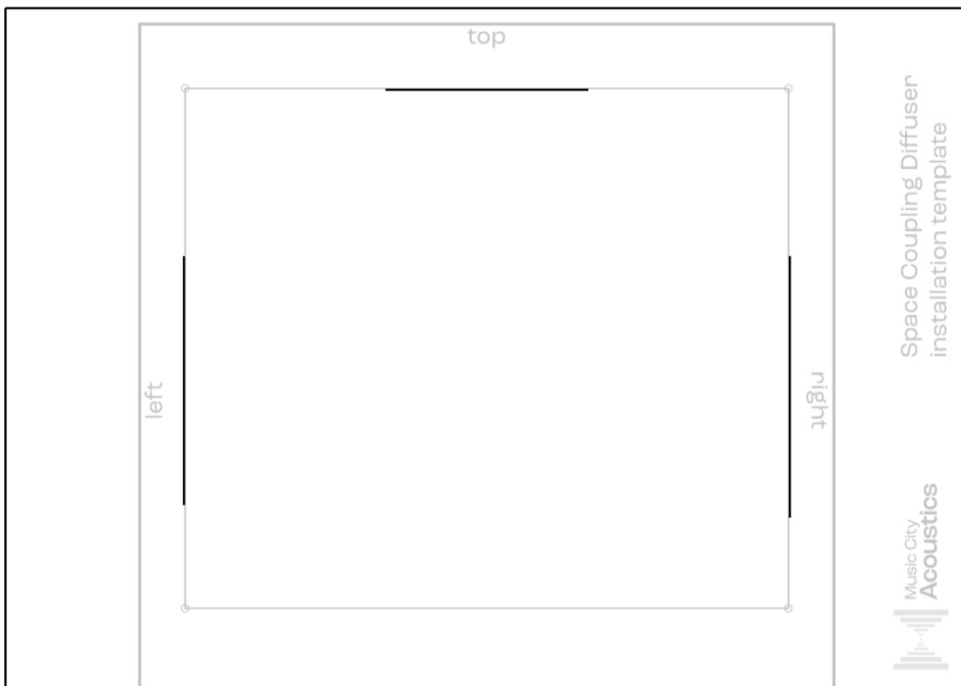
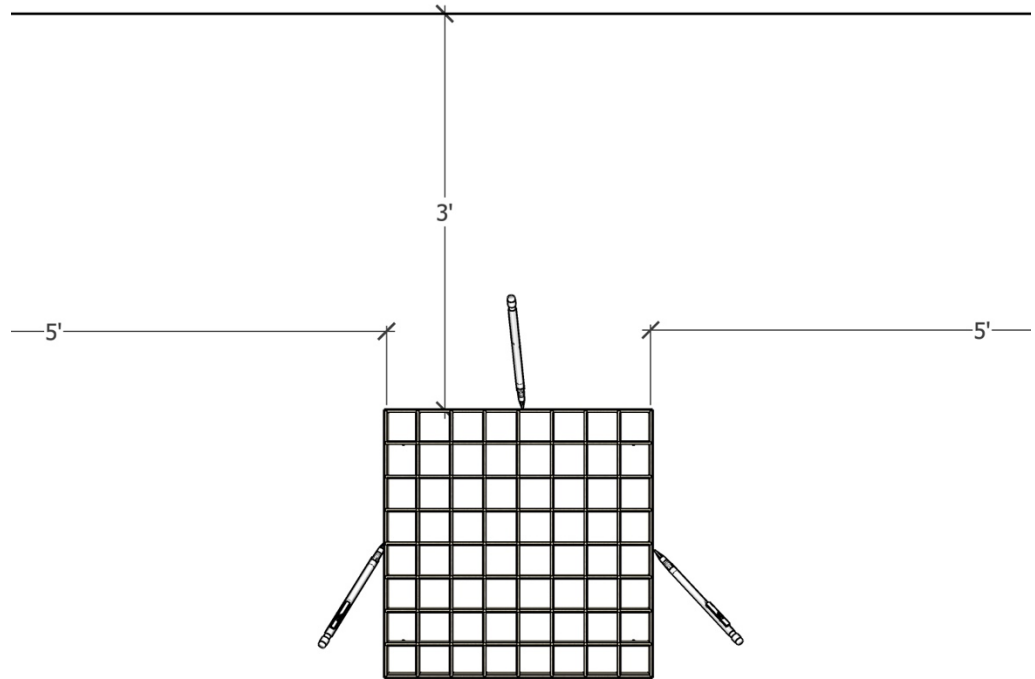
- using your measurements from step 1, sketch out your room
- draw in the SCD, marking its' distance from the front/back and left/right wall



* measurements shown above are just an example. measurements will vary from room to room.

step 3 – mark out the ceiling

a. mark where the front, left, and right sides of your SCD will be installed

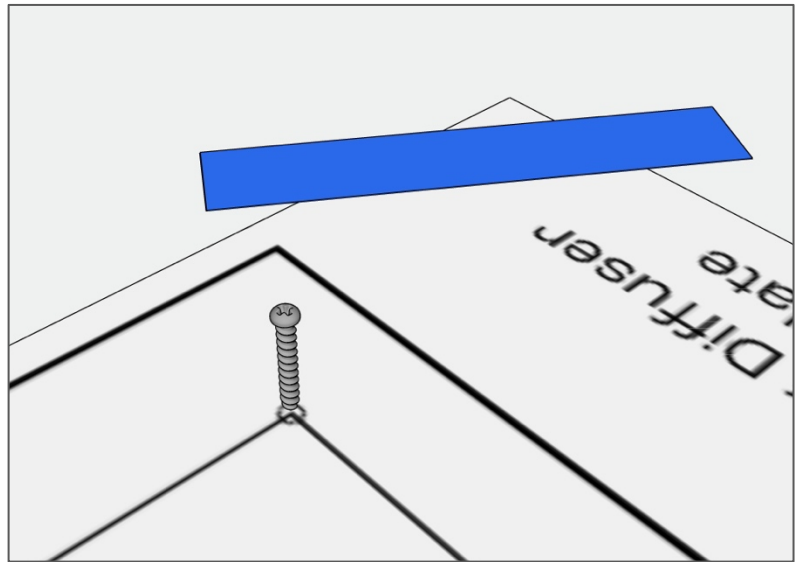


b. line up SCD install template marks made in step 3a

c. tape template in place

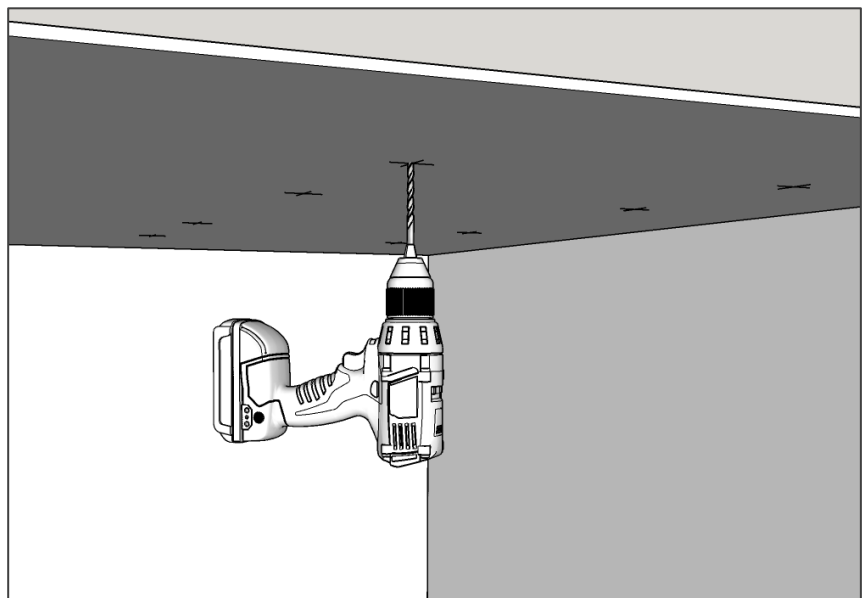
step 3 – mark out the ceiling cont.

- d. with the template taped in place, transfer the location of the four circles to the ceiling

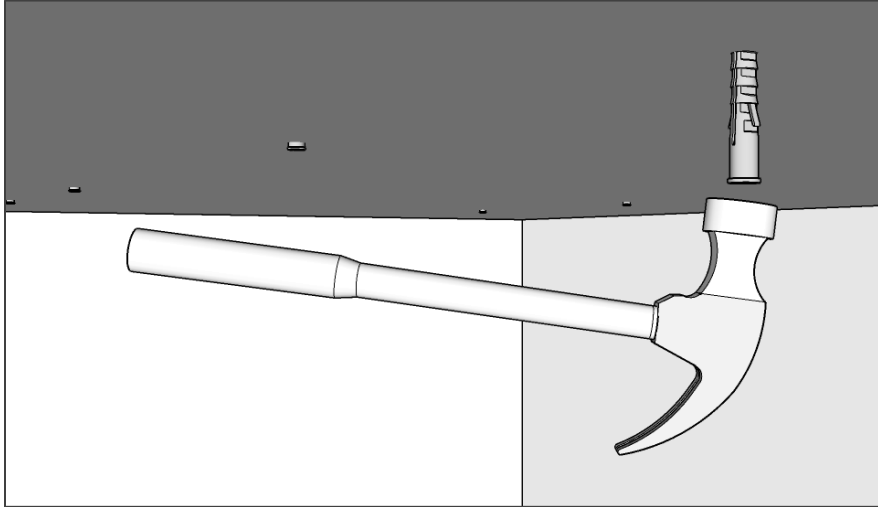


step 4 – drywall anchors

- a. using 3/16" drill bit – drill pilot holes for dry wall anchors



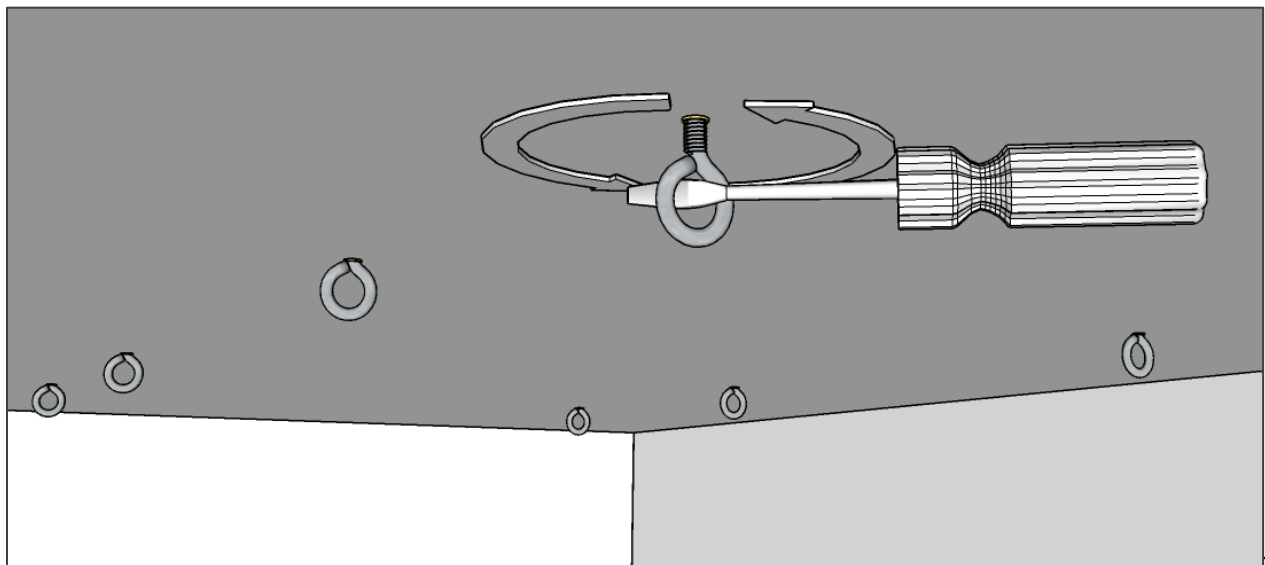
step 4 – drywall anchors cont.



b. tap in
drywall anchors
(use hammer if
needed)

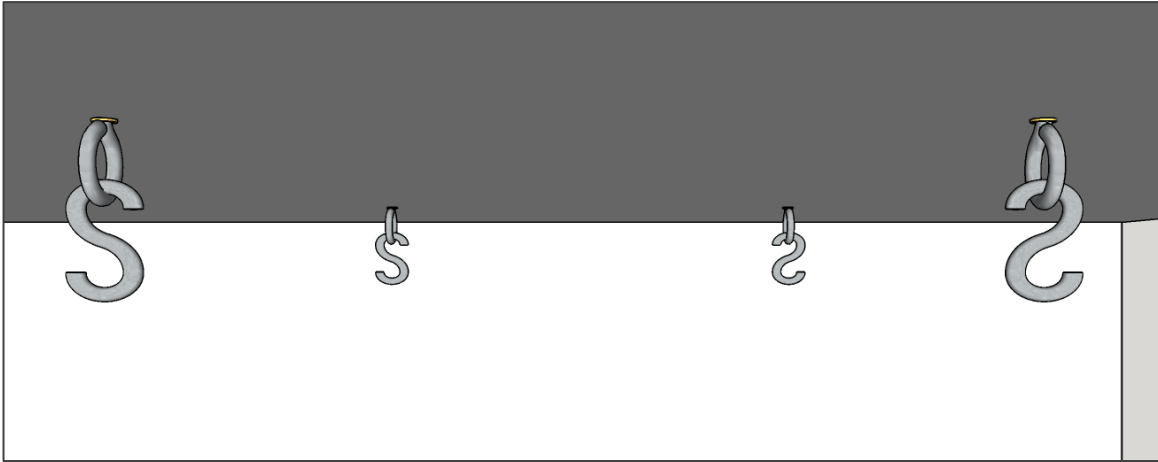
step 5 – attach hardware to the ceiling

a. screw in #8 eye screws (4 per SCD)



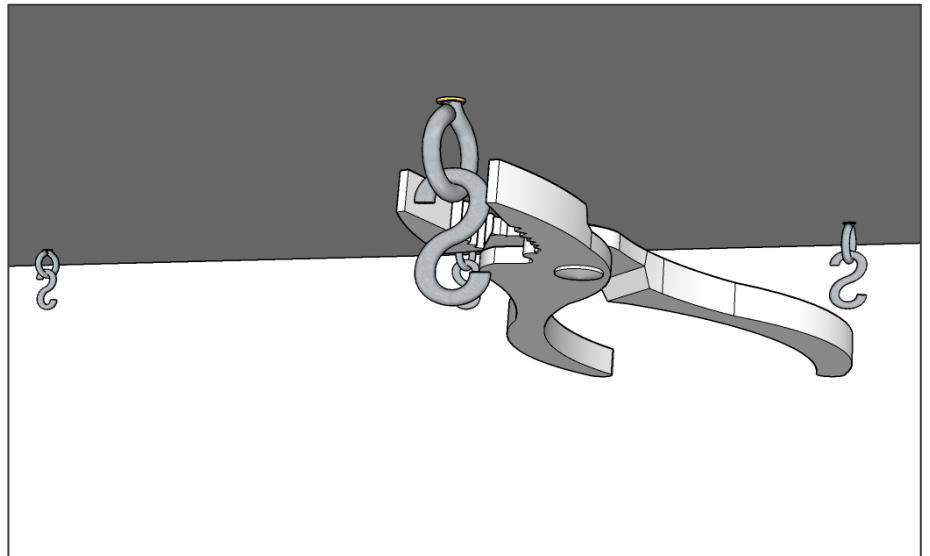
step 5 – cont.

b. attach s hooks to eye screws



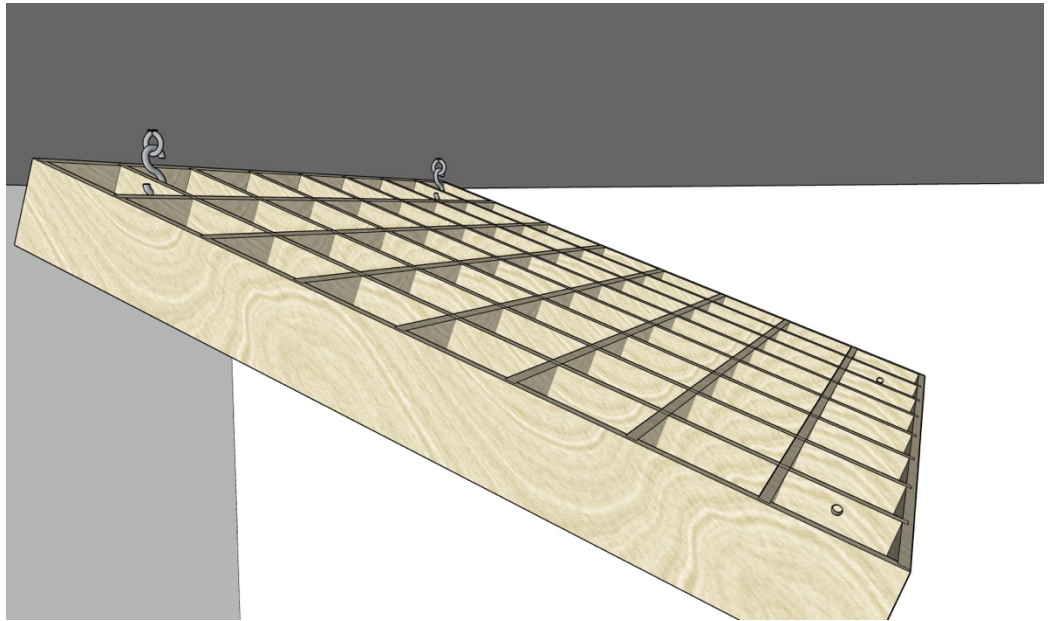
*attach s hooks facing out to make hanging the panels easier

c. pinch s hook shut around eye screw to secure it



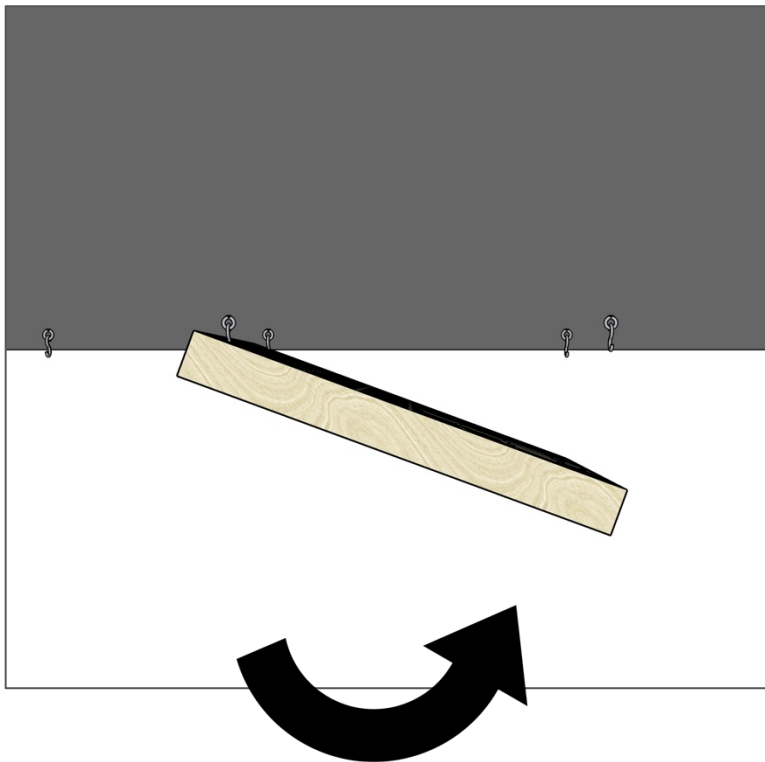
step 6 – hang the space coupling diffuser

- a. secure
1st side
of SCD
onto S
hooks



*angling scd will make it easier to secure the s hooks into the predrilled holes

- b. swing SCD into
position to secure
the last two S
hooks



congrats, you did it!

we'd love to see pictures of your newly updated studio. if you have any photos to share email them to graham@musiccityacoustics.com