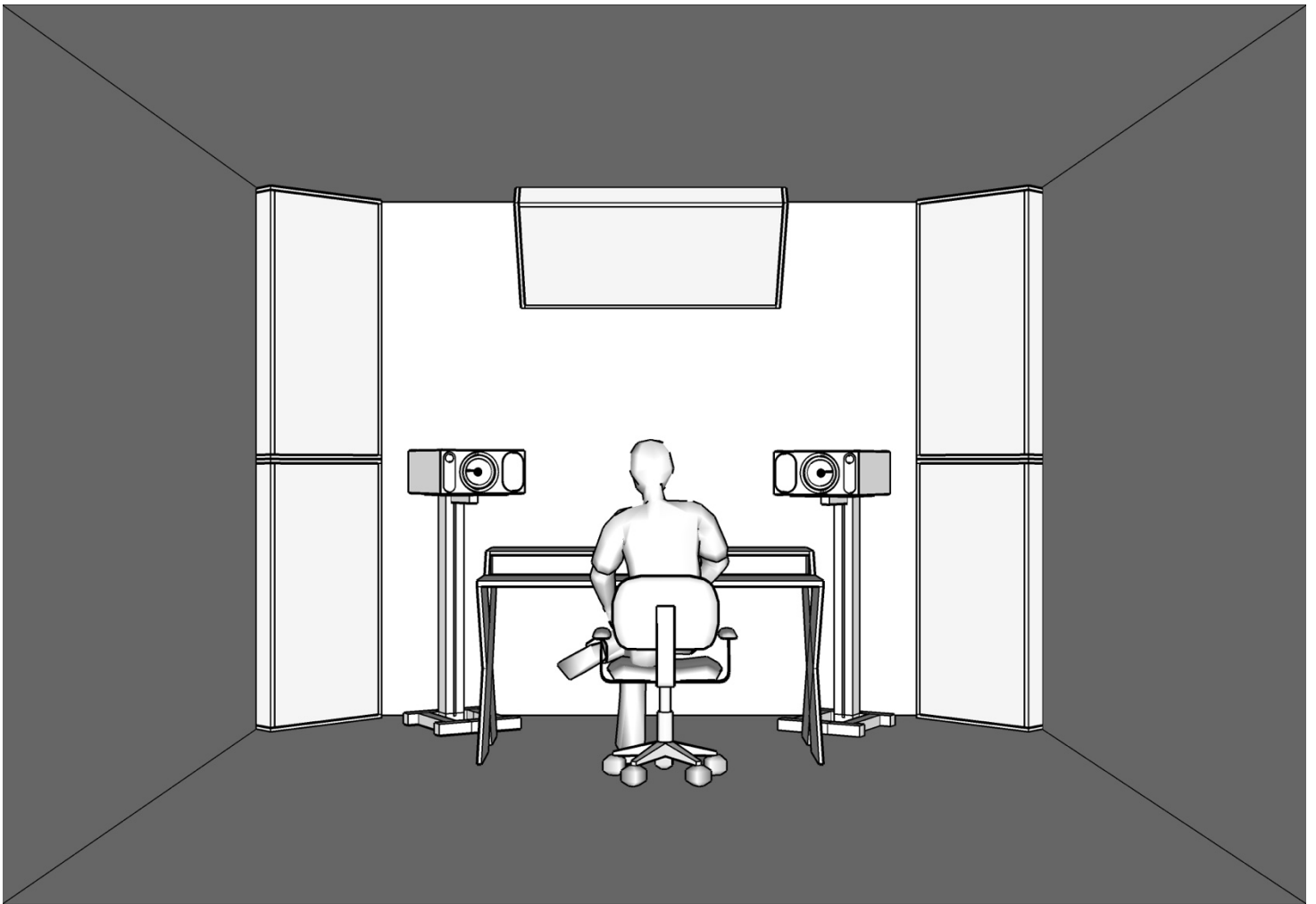


# acoustic panel installation

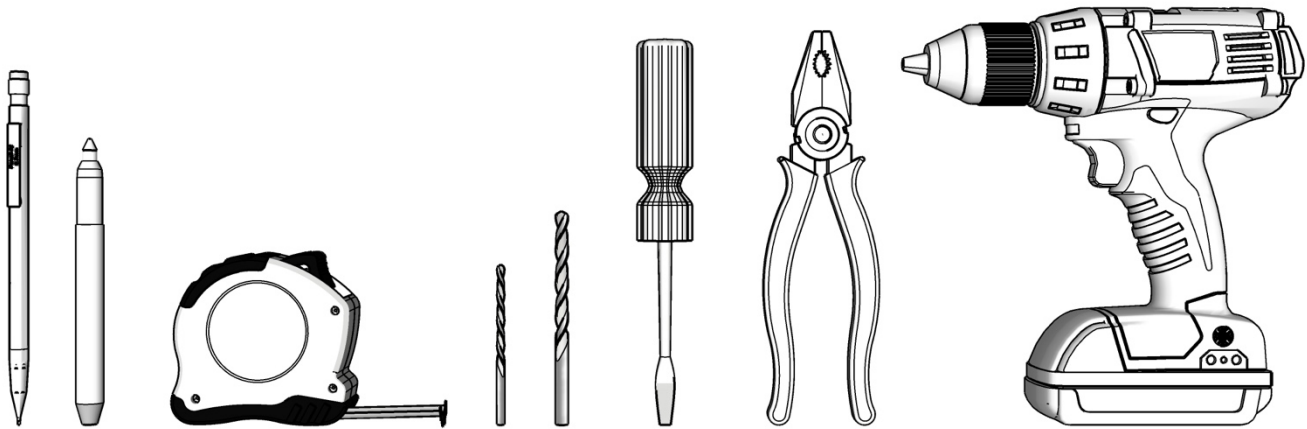
## corner traps



**MCA**

Acoustics Simplified

# required tools



1. pencil
2. marker
3. tape measure
4. 1/8" drill bit
5. 1/2" drill bit
6. drill
7. flat head screwdriver
8. pliers/wire cutters



**MCA**

Acoustics Simplified

# hardware (per panel)



eye screws (x2)



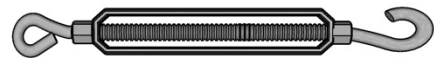
S hooks (x2)



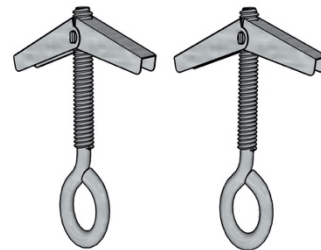
hook screws (x2)



turnbuckles (x2)



chain (x2)



toggle bolts 3/16" x 3" (x2)

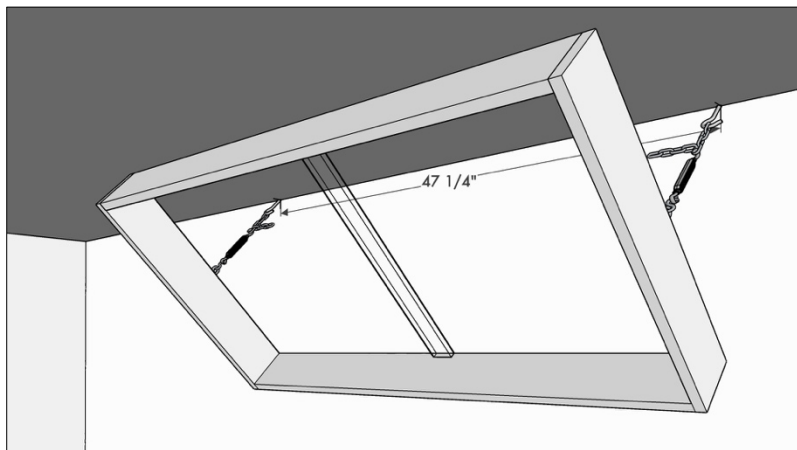
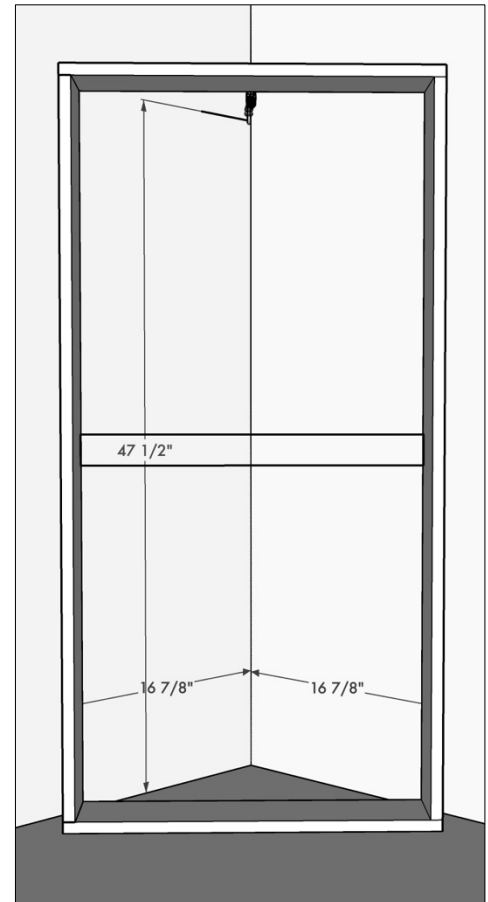


**MCA**

Acoustics Simplified

# step 1 – panel placement

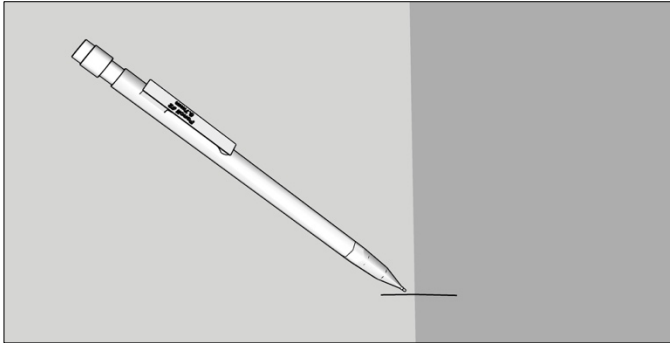
- A. layout where the panels will go in your room
- B. determine hardware location (on panels and walls)
- C. corner traps stacked on the floor can be installed with one hardware set.
- D. panels straddling a wall ceiling/corner or installed up off of the floor should be installed with hardware at both ends of the panel.



**MCA**

Acoustics Simplified

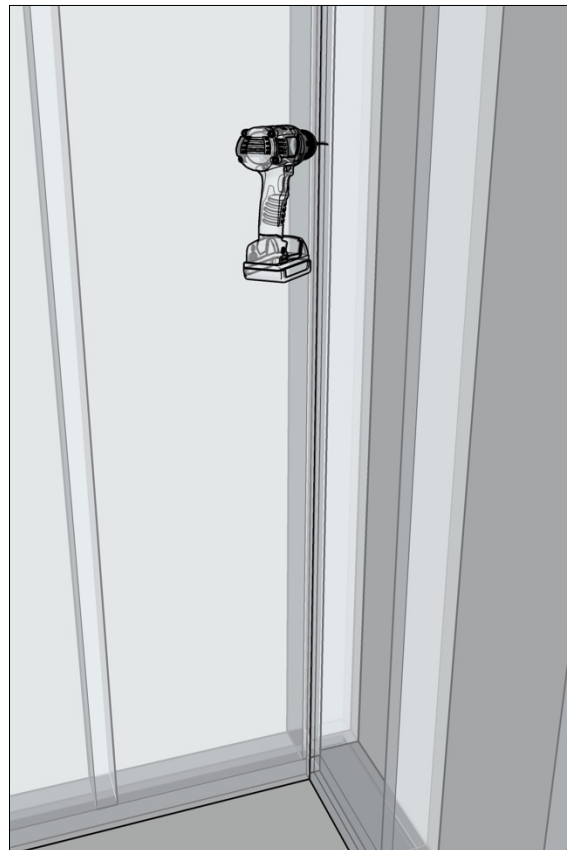
## step 2 – mark the wall



E. after determining the panel and hardware placement, mark the locations where you will drill pilot holes

## step 3 – check for studs

- F. check the hardware location marked in step 2 for the presence of a stud
- G. drill a small test hole or use a stud finder to confirm whether there is a stud behind the wall.



**MCA**

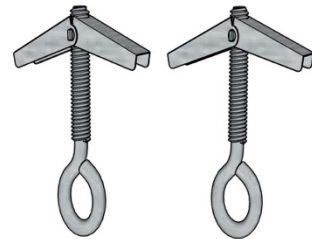
Acoustics Simplified

## step 4 – wall hardware

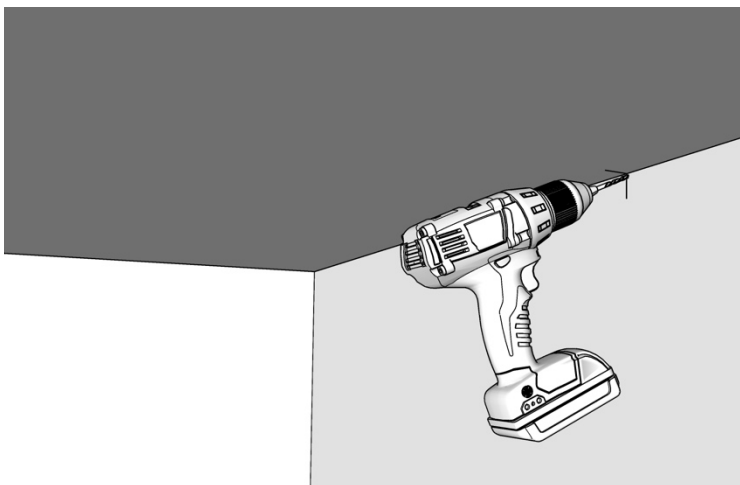
H. if studs are present, proceed with the #6 screw hooks



I. if studs are not present, proceed with the toggle/eye bolt combo



## step 5 – drill pilot holes



J. stud installation  
- 1/8" pilot hole for screw hooks into a stud

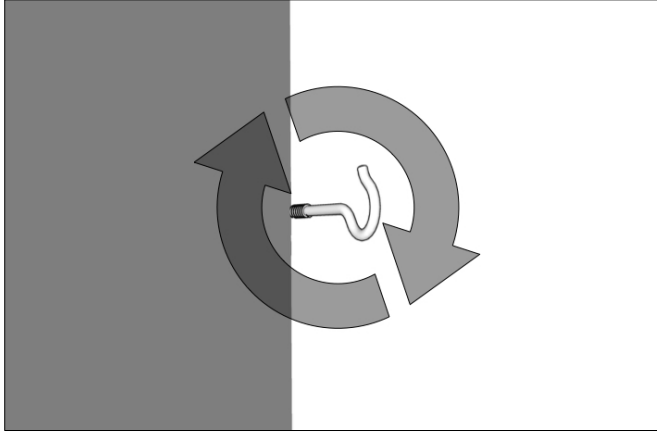
K. drywall installation  
- 1/2" pilot hole for toggle bolts



**MCA**

Acoustics Simplified

## step 6 – secure wall hardware



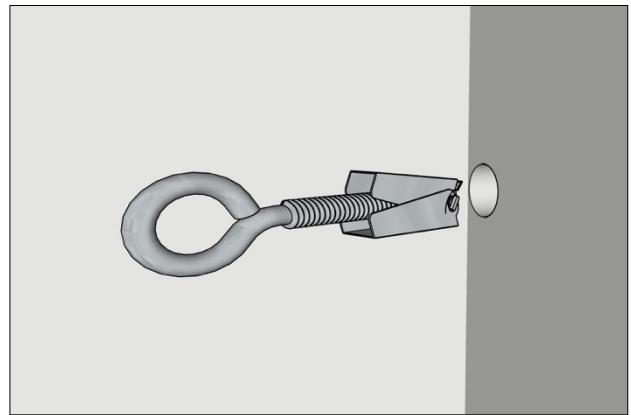
### L. stud installation

- screw hook screw into pre drilled hole(s)

\*the flat screwdriver can be used here to tighten the screw

### M. drywall installation

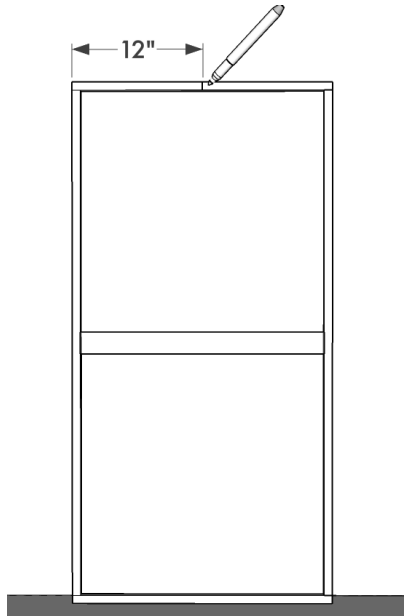
- push toggle bolt through predrilled hole(s) \* ensure the wings have fully opened on back side of wall



**MCA**

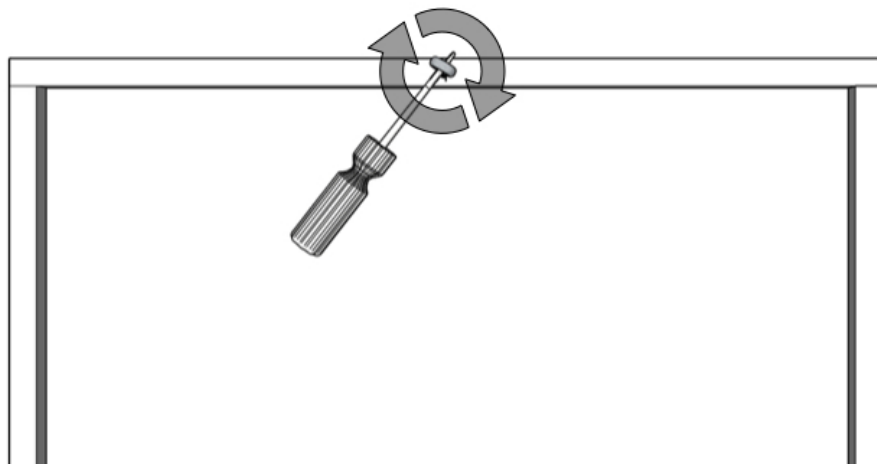
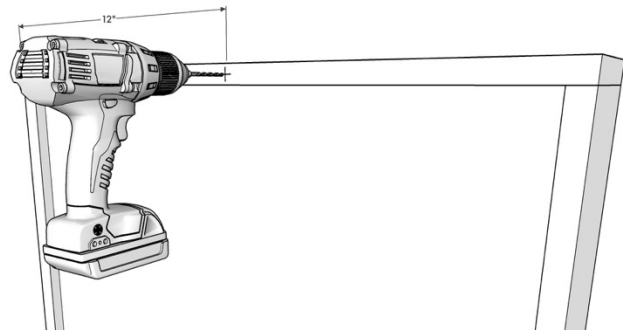
Acoustics Simplified

# step 6 – secure eye screws to acoustic panel



N. on the back of the panel find the center point and mark it

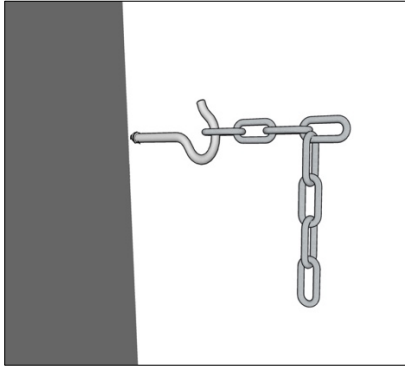
O. drill 1/8" pilot hole for eye screw



P. screw in eye screw(s)

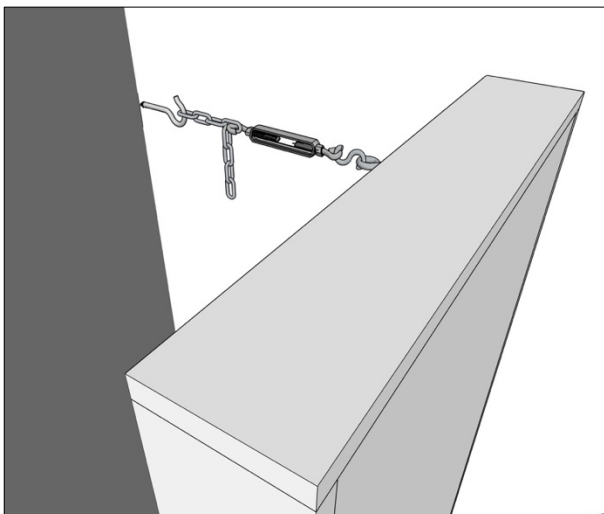
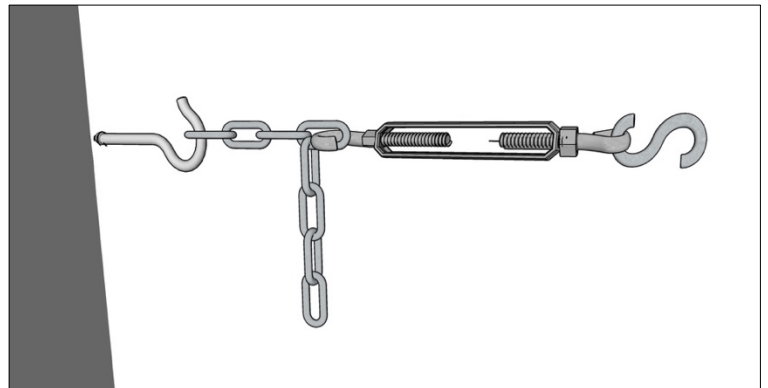


## step 7 – installing the corner trap



**Q.** attach chain to screw hook or toggle bolt (if using the toggle bolt configuration a s hook will be required)

**R.** using the hook side of your turnbuckle, attach it to the chain (extend turnbuckle prior to attaching so it can be tightened later)



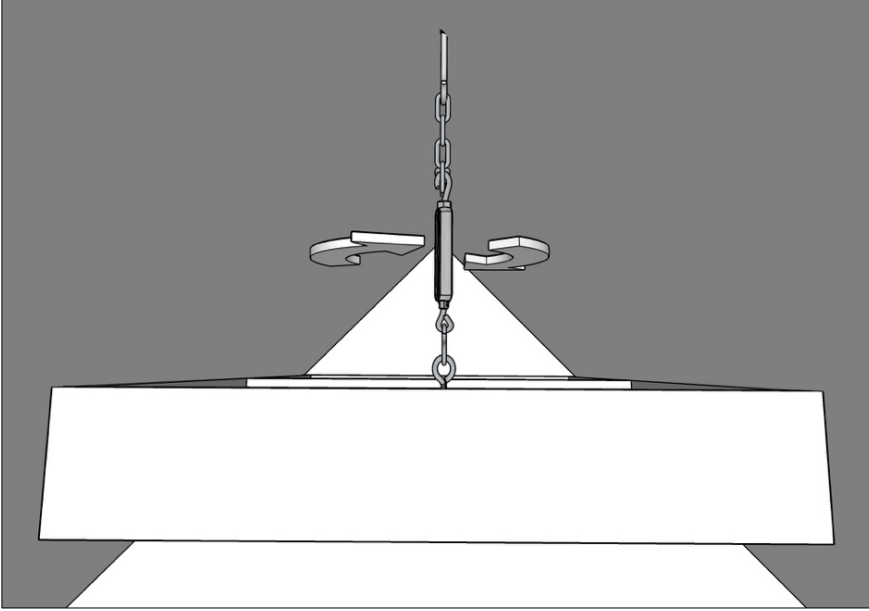
**S.** bring the acoustic panel into position and attach the s hook to the eye screw



**MCA**

Acoustics Simplified

## step 7 – installing the corner trap cont.



T. rotate the turnbuckle to tighten it, pulling the acoustic panel securely into the corner

## step 8 – you're all done

**RECORD**

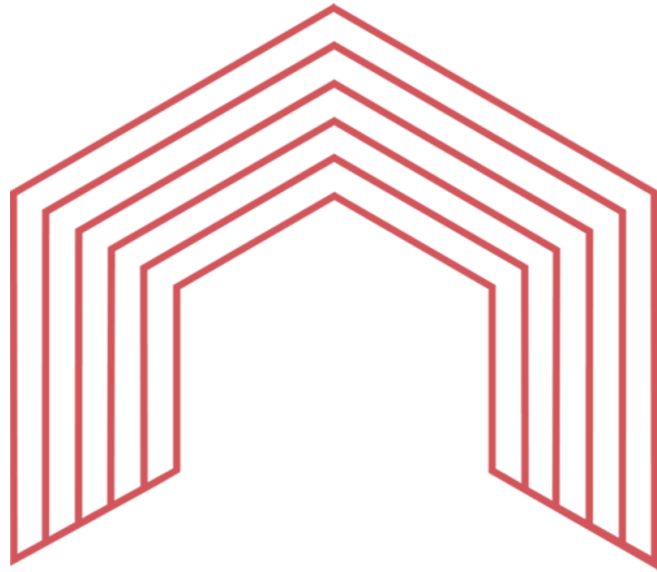
**MIX**

**PRODUCE!**



**MCA**

Acoustics Simplified



# MUSIC CITY ACOUSTICS

ACOUSTICS SIMPLIFIED



**MCA**

Acoustics Simplified